

### BEFORE YOU START:

- Please check local electrical codes before beginning
- Turn power off before installing
- Make sure to use properly rated wire

### TOOLS NEEDED:

- Hole Saw
- Screwdriver

**1. DRILL A 2-5/8" DIAMETER HOLE.** This will fit the aperture of the fixture housing and be large enough to enable spring clips to hold fixture tight against ceiling. (FIG. 1) For replacing other fixtures where the mounting hole is larger. Use optional trim ring included with fixture.

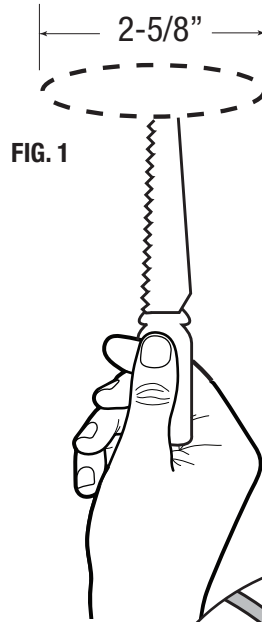


FIG. 1

**2. CONNECTING FIXTURE TO POWER.** Remove cylindrical hood screws from back of fixture (FIG. 2). Feed 120V power through top knock-out using properly listed conductors and cord grommets or conduit connectors (by others) (FIG. 3). When linking multiple fixtures see (FIG. 4). Connect 120V power leads to fixture using the quick connect connectors. Securely re-attach cylindrical hood. Test all connections.

**NOTE: When using optional trim ring, position it behind mounting springs to seat behind gimble flange.**

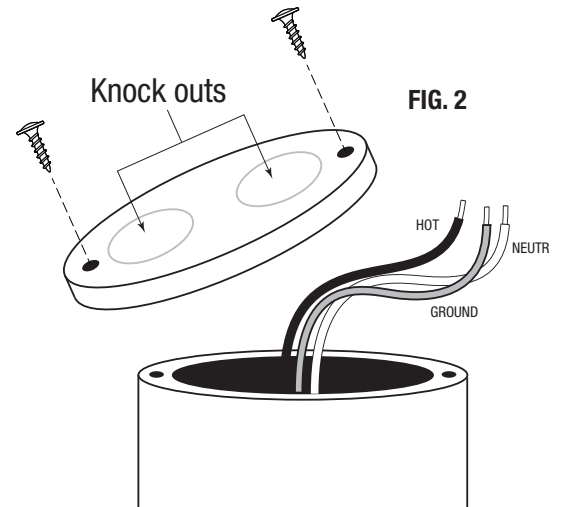


FIG. 2

### 3. INSTALL FIXTURE INTO CEILING:

Using your fingers, compress springs while inserting fixture up into ceiling hole. Spring clips will capture ceiling, holding fixture firmly in place. Adjust gimbel by twisting it. (FIG. 5).

**NOTE: Make sure to leave enough clearance for conductors.**

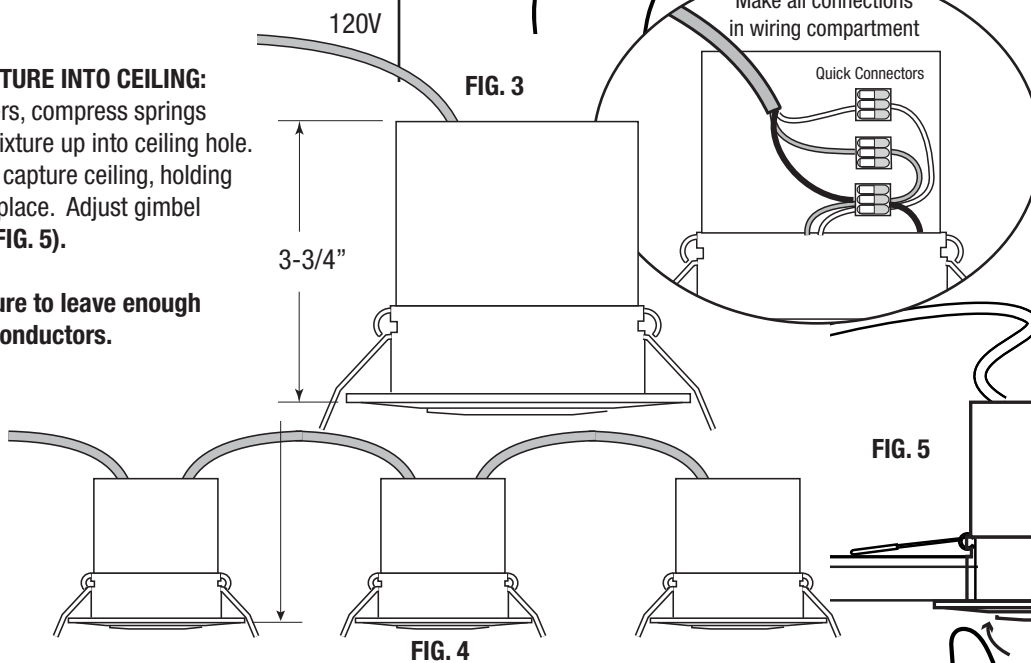


FIG. 3

3-3/4"

FIG. 4

FIG. 5

15°  
Adjustability

### Recommended Dimmers

Brand	Model No.
LUTRON	PD-6WCL-WH-R
LUTRON	DIVA DVLV-600P-WH
LUTRON	DIVA DVELV-300P
LEVITON	R62-6674-POW
GM LIGHTING	SHWD