

WARNING!

FAMILIARIZE YOURSELF WITH INSTRUCTIONS BEFORE PROCEEDING. FOLLOW ALL LOCAL CODES. VERIFY THAT POWER IS OFF BEFORE PROCEEDING. MAKE SURE YOU USE PROPER RATED WIRE.

NOTE: WE RECOMMEND THAT YOU ENGAGE A QUALIFIED, LICENSED ELECTRICIAN. MODIFYING OR DISASSEMBLING BEYOND INSTRUCTIONS WILL VOID THE WARRANTY FOR THIS PRODUCT.

DO NOT EXCEED MAXIMUM RUN OF TAPE THAT YOU APPLY TO THIS MOUNTING CHANNEL. DO NOT INSTALL IN ENVIRONMENT THAT IS OUTSIDE THE LISTED AMBIENT TEMPERATURE FOR LED TAPE, AND IN AN AREA THAT IS NOT EASILY ACCESSED FOR SERVICE REQUIREMENTS.

Layout Mounting Channels

Consult chart at right for proper mil dimensions before cutting into surface. Layout your project allowing for power supply placement. Note that channel comes with removable, frosted lens.

Cut channel to desired length using rotary saw with disc for cutting into aluminum, or saw. **Fig. 1.** For surface mounting, clean surface and apply adhesive to channel, or screw channel down onto surface using supplied screws (at least 1 per linear foot). **Fig. 2.**

For recessed mounting, rout out surface using router or equivalent tool to the dimensions shown at right. Apply adhesive or screw mounting channel down into routed channel. **Fig. 2.**

Lay-in LED tape, seating it into channel by exposing double-stick mounting tape that is affixed at back of LED tape. Press or burnish tape firmly, achieving a strong seal with mounting channel. **Fig. 3.**

NOTE: Wire up tape to power supply. Use only GM power supplies for 5 year warranty. Mount power supply close to LED tape application.

Connecting Fixture Leads to 12V / 24V Power Supply

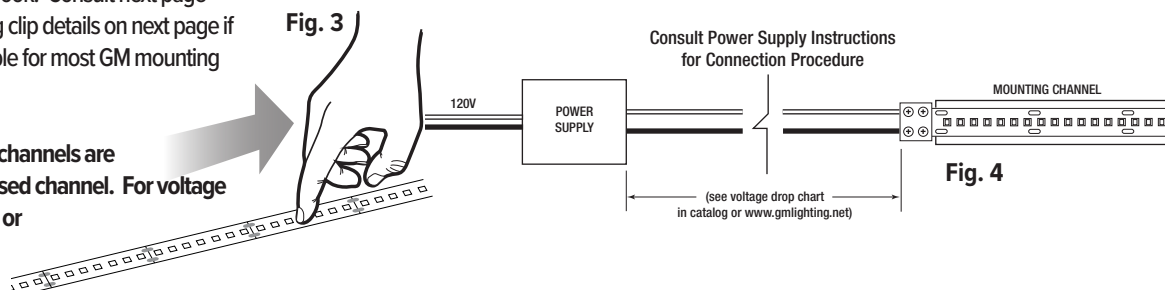
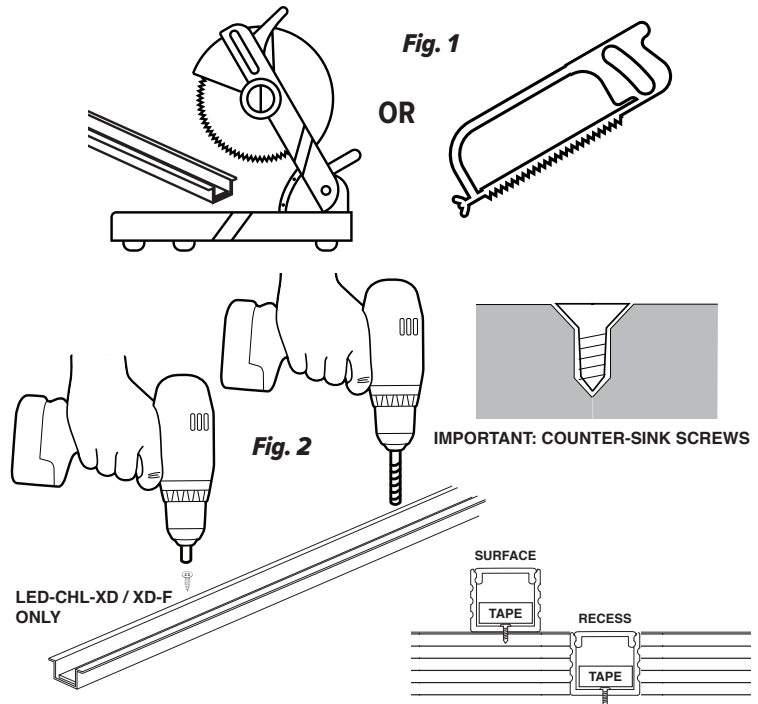
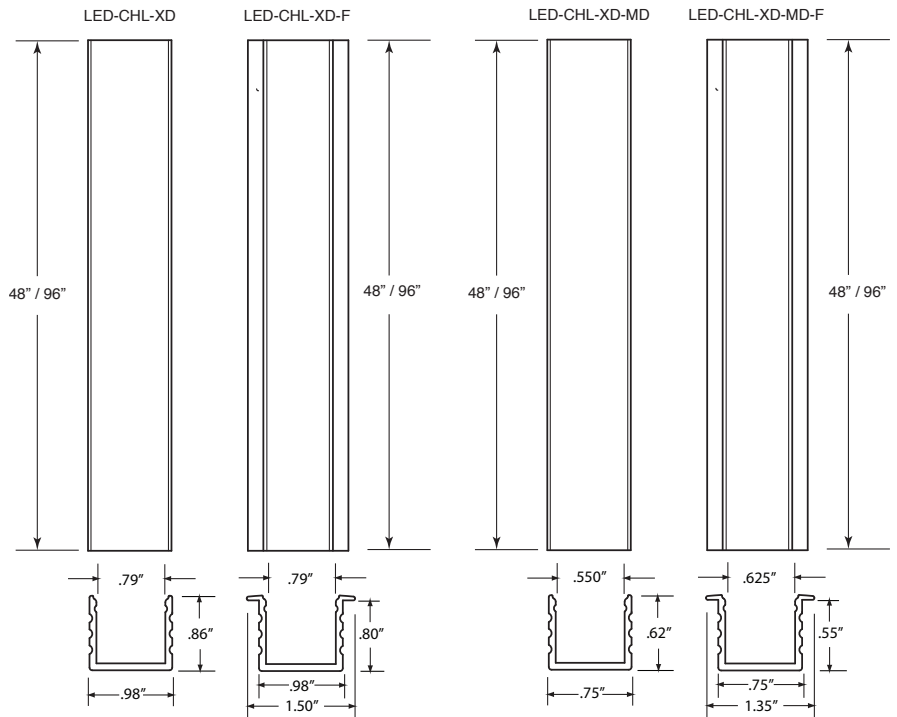
Connect tape to power leads, or separate tape to power flexible connector. Make sure that leads or connector does not hamper placement of tape in channel. Many connectors are designed to be used outside of channel. See detail in **Fig. 4.**

Using End Caps and Mounting Clips

End caps are available for a finished look. Consult next page for end cap placement and mounting clip details on next page if using optional mounting clips available for most GM mounting channels. **Fig. 5.**

Power up application and test that channels are firmly mounted to surface, or recessed channel. For voltage drop, consult GM Products Catalog or website at www.gmlighting.net.

LED Tape Mounting Channel XD - XD-F - XD-MD - XD-MD-F



LED Tape Mounting Channel XD - XD-F - XD-MD - XD-MD-F

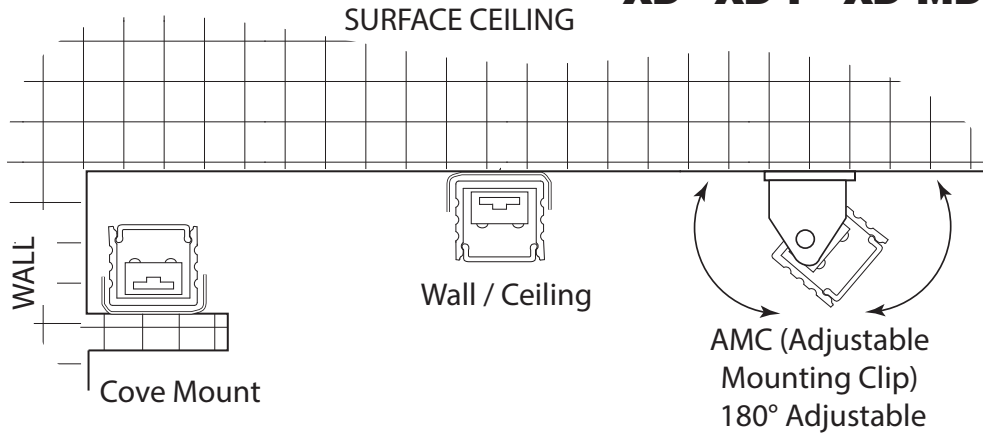


Fig. 5

