

BEFORE YOU START:

- Please check local electrical codes before beginning
- Turn power off before installing
- Make sure to use properly rated wire

TOOLS NEEDED:

- Phillips screwdriver
- Conduit (by others) if needed

1. CUT A 2-5/8" HOLE IN CEILING WHERE YOU WANT TO LOCATE YOUR MICROTASK FIXTURE - (Fig. 1)

2. CONNECTING JUNCTION BOX:

Connect Junction Box to 120V power source using flexible conduit or Romex (by others) (Fig. 2). Open junction box and connect fixture cords to power. Simply push copper wire into end of wire module, locking it in place. **Green to Green, Black to Black, White to White (Fig. 3).**

3. MOUNT JUNCTION BOX:

Mount junction box to New Construction Plate (sold separately), (Fig. 4) positioning hole in New Construction Plate over 2-5/8" hole in ceiling. New Construction Plate allows installation before drywall is mounted.

4. MOUNTING TRIM:

Depress torsion mounting springs, and push MicroTask trim up into hole, letting the springs snap into place (Fig. 5). Assure that trim is held firmly. For adjustable trim: rotate fixture in order to take advantage of adjustable beam spread as a wall wash or to direct light on object or surface (Fig. 6)

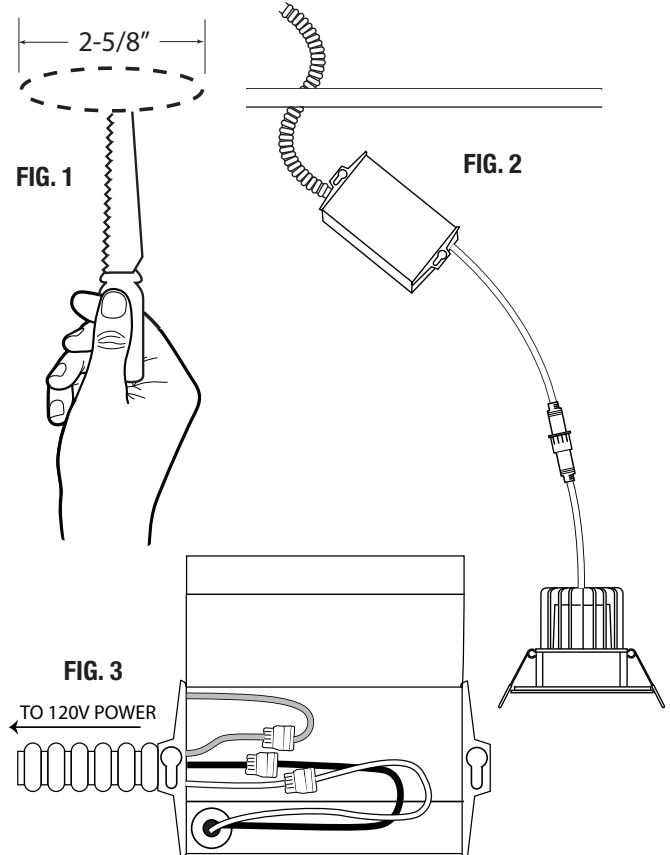


FIG. 4

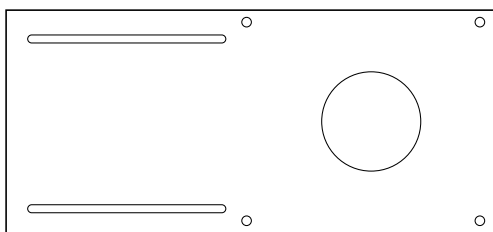


FIG. 5

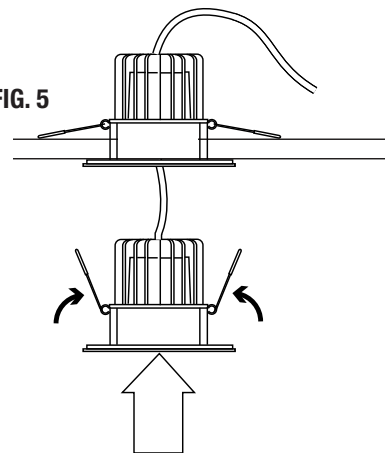


FIG. 6

