



WARNING!

BEFORE YOU START:

- Please check local electrical codes before beginning
- Turn power off before installing
- Make sure to use properly rated wire

TOOLS NEEDED:

- Phillips #2 screwdriver
- Drill with 7/32" and 1/4" dia. Drill Bits

PARTS INCLUDED:

- Pre-configured VortexLED Tape on Reel in Factory-Sealed Pouch
- 48" Lead Affixed to Start of Reel (if not configured with VTX-PCHW-8 or VTX-PCHW-8-AF)

NOTE: WE RECOMMEND THAT YOU ENGAGE A QUALIFIED AND LICENSED ELECTRICIAN. ALL SYSTEM PARTS ARE COMPATIBLE WITH AND ONLY WORK TOGETHER. DO NOT ATTEMPT TO SWAP OUT OTHER MANUFACTURERS PRODUCTS. INSURE THAT BOTH WALL SWITCH AND LED DRIVER IS GROUNDED IN ACCORDANCE WITH NEC OR LOCAL ELECTRICAL CODES.

DO NOT INSTALL IN AN APPLICATION THAT IS OUTSIDE OF THE PRODUCTS LISTED AMBIENT TEMPERATURE AND IN AN AREA THAT IS NOT EASILY ACCESSED FOR SERVICE REQUIREMENTS. CAUTION: Do not bend tape into tight radius or twist excessively. Tape must be configured for power feed and length when ordering and cannot be changed in the field. Tape power feed and end caps are sealed at the factory.

A WORD ON WALL GRAZING LINEAR ILLUMINATION

VortexLED Wall Grazer should be mounted close to a wall, either from the floor for uplighting or from the ceiling, best positioned to enable the tape to illuminate vertical surfaces at a narrow angle. Wall grazing is a technique that brings out surface and architectural detail.

Wall Grazing is a style of accent lighting that creates shadows. Mount close to illuminated surface. POSITIONING: START WITH

POSITIONING TAPE ON CEILING (OR FLOOR) WITH LED'S AIMED DOWN (OR UP), FOR SIDE GRAZING POSITION ON WALL FOR LEFT (OR RIGHT SIDE) GRAZING. MOVE OUT FROM WALL UNTIL DESIRED GRAZING EFFECT IS ACHIEVED.

NOTE: Wall grazing tape is designed to be mounted on a horizontal (down or up lighting) or vertical surface (side lighting) shining across the surface to be illuminated. Tape must be laid out as in (FIG. 1) or (FIG. 2) to illuminate the wall properly. Mount close to wall to achieve desired wall grazing effects (FIG. 3).

1. PREPARE MOUNTING SURFACE

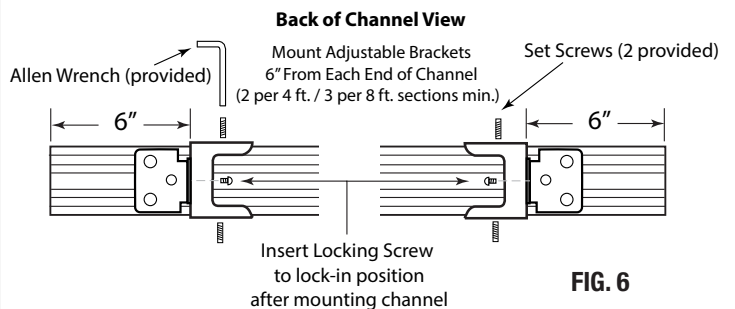
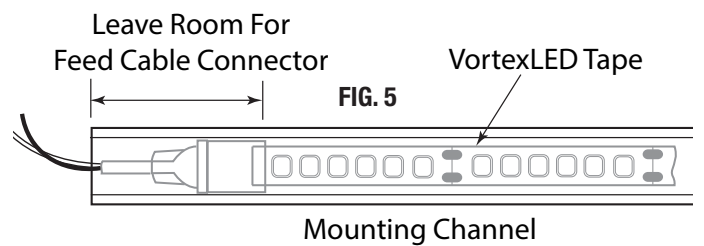
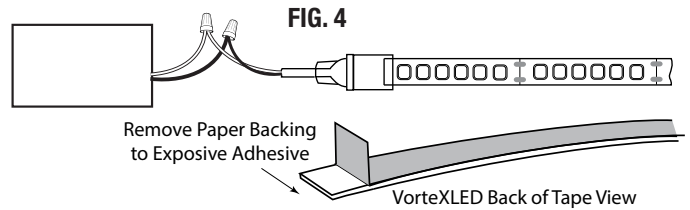
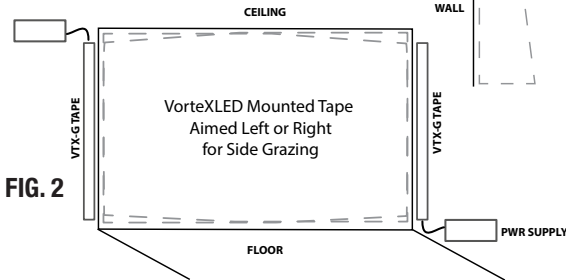
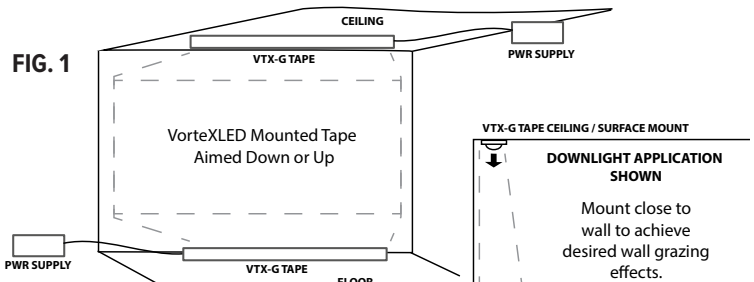
VortexLED tape can be mounted directly to surface or in an adjustable VTX-CHL mounting channel. Prepare surface that channel and power supply will be mounted on by making sure surface is free of dust or oil. Use proper household or commercial cleaner, depending on surface.

2. SELECT MOUNTING TYPE These instructions cover four separate mounting techniques that take advantage of the 30° wall grazing beam. Tape to surface and tape in channel options. **Surface must be very flat, clean and smooth for proper installation.**

3A. TAPE TO SURFACE INSTALLATION: Conceal and mount 24VDC Power Supply per the instructions that come with that driver. Extend leads out in direction of where tape is to be mounted. Expose adhesive back of tape by removing protective paper. Press tape firmly in place from one end to the other, taking special care not to damage individual lenses. (FIG. 4).

3B. TAPE IN CHANNEL WITH ADJUSTABLE CLIPS: VTX-Channels and lenses come in 4ft or 8ft lengths. Measure the full length of tape from end cap to end of power connector. **DO NOT INSTALL TAPE INSIDE CHANNEL UNTIL FINAL STEP.** Allow space for the feed cable connector to fit inside the channel (FIG.5). Cut channels and lenses with a miter saw as needed to fit tape inside. Channels can then be joined to length needed and mounted one section at a time.

Locate a place to attach channel and brackets. Install VTX-CHL-AMC adjustable brackets onto channel (6" from end of channel & 2 per 4 ft section). Tighten bracket screws at side of channel (FIG. 6). Install wall anchors (included with brackets) if mounting to drywall. Use 7/32" dia. drill bit for holes. Hold up to mounting surface and install 2 wood screws through each bracket. For longer runs, LTR-S-O-CHL channel can be aligned with LTR-S-O-CHL-JC joiners. After each section, install 2 joiners (FIG. 5) on the installed channel and tighten 2 set screws. Slide next channel and bracket assembly onto the joiners. Attach the next channel with brackets to the mounting surface with screws. Then tighten the remaining joiner screws. Repeat adding channel sections as needed.



3C. TAPE IN CHANNEL WITH SCREWS: VTX-Channels and lenses will come in 4ft or 8ft lengths. Measure the full length of tape from end cap to end of power connector. **DO NOT INSTALL TAPE INSIDE CHANNEL UNTIL FINAL STEP.** Allow space for the feed cable connector to fit inside the channel. Cut channels and lenses with a miter saw as needed to fit tape inside. Channels can then be joined to length needed and mounted one section at a time. VTX-A Series tape can be mounted in a LTR-S-O-CHL channel that can be extended with LTR-S-O-CHL-JC joiners.

Installer may attach channel directly to surface with #8 x 1" flathead zinc plated, screws (min of 2 per 4 ft section). Pre-drill 1/4" dia. holes in channel (**FIG. 8**). Mount all sections of channel, as described in next steps:

For longer runs, LTR-S-O-CHL channel can be aligned with LTR-S-O-CHL-JC joiners. After each section, install 2 joiners (**FIG. 7**) on next channel section to be installed and tighten 2 set screws. Slide next channel joiners into the previously mounted channel section. Note that joiner set screws will only need to be locked into one channel. The channel is now in position for mounting to the surface with screws. Repeat procedure adding channel sections as needed.

INSTALL VTX-G TAPE INTO CHANNEL:

Insert cord through VTX-CHL-EC channel end cap with hole. Attach same end cap to channel. Install end cap at opposite end also. Insert the optic tape against channel with one hand, push tape into channel clips with other hand along the entire length (**FIG. 9**). If tape must be removed, carefully push tape against side of channel to compress clip and pull other side of tape out of each clip carefully. Install other channel end cap.

INSTALL LENS INTO CHANNEL:

Insert lens at end of channel next to end cap on one side (**FIG. 10**). Then press in a few inches of lens on the opposite side of the channel. Continue pressing in a few inches at a time from side to side until the lens is fully snapped into the channel. Repeat for longer sections of channels and lenses.

AIMING 30° WALL GRAZING SOURCE:

4. When mounting onto adjustable clips, you can 'tweak' the angle of your light source by firmly rotating the head of the adjustable clips to gain the most effect of your lighting. Start by aiming tape directly down or across wall to see the effect. Then tip down as needed to adjust for best illumination. Tighten locking screw on each adjustable bracket to lock angle securely (**FIG. 11**).

