

MicroTask 4

5CCT 120V Mini IC Rated Round Adjustable Regressed LED Downlight



Project Name	Type
--------------	------

Catalog #	Date
-----------	------

PRODUCT OVERVIEW

Excellent color rendition and high lumens in an adjustable mini downlight. Title 24 certified and IC rated with 5CCT choices in one unit to meet many application needs. Nominal 4" round trim has low glare for visual comfort. 360° rotation, ±15° tilt on axis for precise beam control. Fixtures feature a power supply with integrated junction box and connectors for easy installation. Perfect for downlight and accent light applications. White or black finish. Extension cords with modular connectors allows for convenient location of junction box.



FEATURES

- Dimmable (Triac, ELV)
- 5CCT selectable
- 90+ CRI
- IC rated
- Adjustable gimbal (360° rotation, ±15° tilt on axis)
- LUXcontrol App compatible when installed with SHWD
- Snap-in spring clip installation
- ETL, Title 24 and Energy Star

SPECIFICATIONS

ELECTRICAL

- 120VAC - 60Hz
- 11W
- PF >0.90

CERTIFICATIONS

- ETL (for US and Canada)
- Title 24 - JA8
- Energy Star

ENVIRONMENTAL

- Ambient temp. rating -4°F~104°F (-20~40°C)
- Wet location (covered ceiling only)

WARRANTY

- 5 years

PHOTOMETRICS

- 5CCT selection switch
- 38° beam angle

MDL-4AR-5CCT-WH



MDL-4AR-5CCT-BL



ORDERING INFORMATION

Model	Color Temp.	Finish
MDL-4AR (Round)	5CCT	WH (WHITE) BK (BLACK)

Ordering Example: MDL-4AR-5CCT-BK

CONNECTORS AND ACCESSORIES

Catalog No.	Description
RSD-TUN-5FT-EXT	5' EXTENSION CORD FOR MDL SERIES DOWNLIGHTS
RSD-TUN-10FT-EXT	10' EXTENSION CORD FOR MDL SERIES DOWNLIGHTS
RSD-TUN-20FT-EXT	20' EXTENSION CORD FOR MDL SERIES DOWNLIGHTS
UNV-NCP	NEW CONSTRUCTION PLATE FOR ALL MDL SERIES DOWNLIGHTS
SHWD	SMART 2.4 WiFi DIMMER, 120V, WHITE (with LUX App)

MicroTask 4

5CCT 120V Mini IC Rated Round Adjustable Regressed LED Downlight

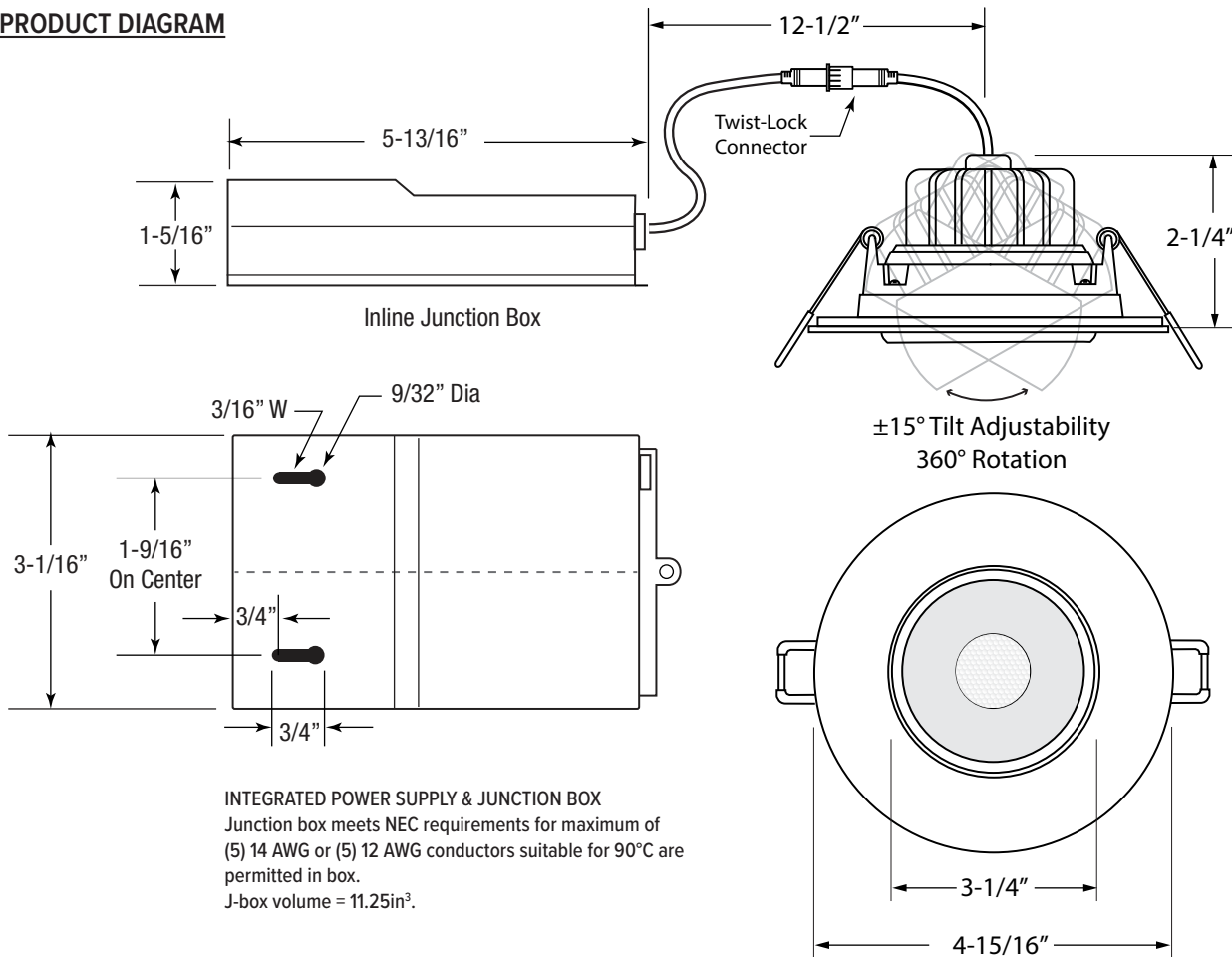


FIXTURE LUMENS

MODEL	2700K	3000K	3500K	4000K	5000K
MDL-4AR-5CCT-WH	820	900	970	1010	1021
LUMEN FACTOR	0.91	1.00	1.08	1.12	1.13
MDL-4AR-5CCT-BK	760	830	900	930	940
LUMEN FACTOR	0.92	1.00	1.08	1.12	1.13

NOTE: When using 3000K ies files, use Lumen Factor to get Lumen values for other Color Temperatures (CCT)
Example: MDL-4AR-5CCT-WH, 900lm x 1.12 = 1008lm at 4000K

PRODUCT DIAGRAM



INTEGRATED POWER SUPPLY & JUNCTION BOX
Junction box meets NEC requirements for maximum of (5) 14 AWG or (5) 12 AWG conductors suitable for 90°C are permitted in box.
J-box volume = 11.25in³.

Hole cut-out size for installation of fixture and junction box.

CUT-OUT
4-1/4" DIA.