

# 120V Selectable MiniTask



## 1" and 2" Round and Square Recessed LED Downlights

### PRODUCT OVERVIEW

Low profile recessed MiniTask downlights with selectable 5CCT and 90+ CRI light source. Available in 1" and 2", round or square in white or black color. The fixture is fully dimmable. Quick to install. Small ceiling footprint for a clean look. Power supply integrated into included wiring box. No separate power supply required.

### FEATURES

- 120V
- 5CCT selectable switch
- Dimmable ELV
- 38° beam angle
- 90+ CRI
- 1" module - up to 500lm, 2" module up to 1100lm
- Square and round trim styles
- Black and white finishes
- Damp location, IP54 (indoor only)
- Wet location, indoor covered ceiling
- IC Rated for insulated ceiling spaces

### SPECIFICATIONS

#### ELECTRICAL

- 7W (1")
- 15W (2")
- 120V (includes wiring box)
- PF: >0.90

#### PHOTOMETRIC

- Selectable switch  
2700K/3000K/3500K/4000K/5000K
- 90+ CRI

#### CERTIFICATION

- ETL listed (US & Canada)
- Energy Star
- Title24/JA8
- IC rated

#### OPERATING TEMP

- -4°F to 104°F

#### WARRANTY

- 5 years

|              |      |
|--------------|------|
| Project Name | Type |
|--------------|------|

|           |      |
|-----------|------|
| Catalog # | Date |
|-----------|------|



### ORDERING INFORMATION

Example: MTR1-5CCT-W

| Model         | Format     | Size | Color Temp               | Finish    |
|---------------|------------|------|--------------------------|-----------|
| MT (MiniTask) | R (Round)  | 1"   | 5CCT (Selectable Switch) | W (White) |
|               | S (Square) | 2"   |                          | B (Black) |

### ACCESSORIES

| Model            | Description                                  |
|------------------|--|
| CHDL-UNV-NCP     | Universal new construction mounting plate    |
| RSD-TUN-5FT-EXT  | 5' extension cord for RSD Series Downlights  |
| RSD-TUN-10FT-EXT | 10' extension cord for RSD Series Downlights |
| RSD-TUN-20FT-EXT | 20' extension cord for RSD Series Downlights |

### LUMEN TABLE

| Model                          | 2700K | 3000K | 3500K  | 4000K  | 5000K  |
|--------------------------------|-------|-------|--------|--------|--------|
| MTR1-5CCT-W/B<br>MTS1-5CCT-W/B | 430lm | 465lm | 495lm  | 500lm  | 475lm  |
| Lumen Factor                   | 0.92  | 1.00  | 1.06   | 1.08   | 1.02   |
| MTR2-5CCT-W/B<br>MTS2-5CCT-W/B | 915lm | 975lm | 1075lm | 1110lm | 1020lm |
| Lumen Factor                   | 0.94  | 1.00  | 1.10   | 1.14   | 1.05   |

NOTE: IES files available in 3000K. Download from product page on website. If needed, use lumen factors to scale output to other color temperatures.

# 120V Selectable MiniTask



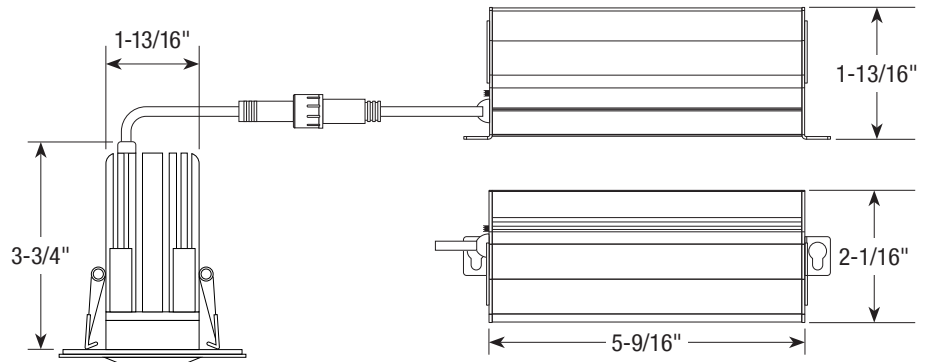
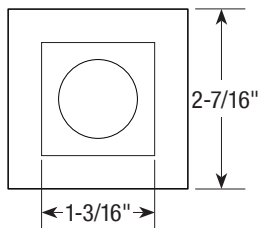
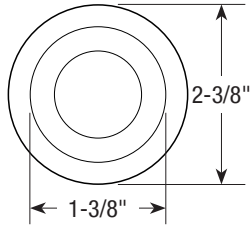
## 1" and 2" Round and Square Recessed LED Downlights

### DIMENSIONS

#### 1" MiniTask Round / Square

Ceiling cutout size for hole

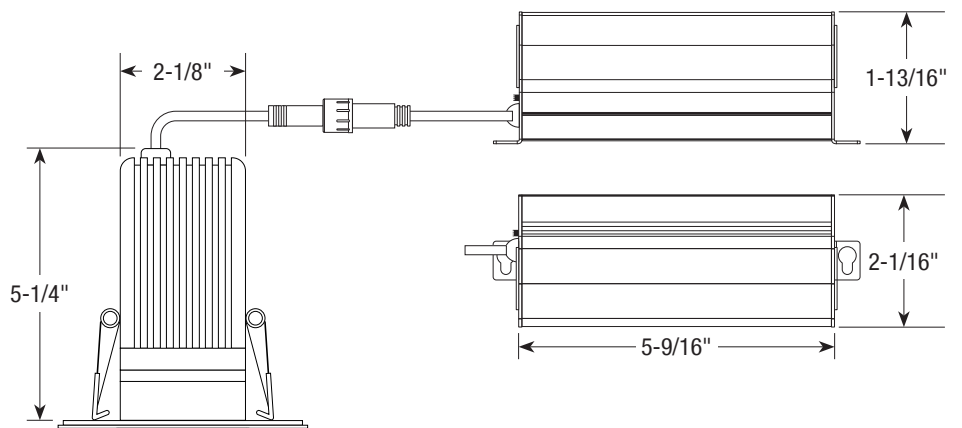
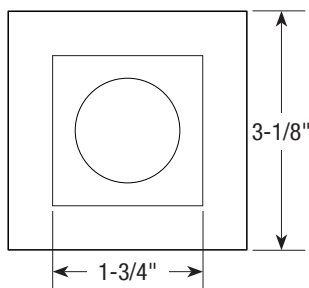
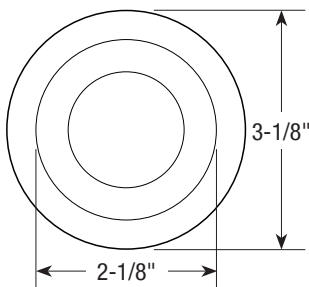
1" Round Fixed Downlight:  
Ø2-1/8" (54mm) round



#### 2" MiniTask Round / Square

Ceiling cutout size for hole

2" Round Fixed Downlight:  
Ø2-5/8" (67mm) round

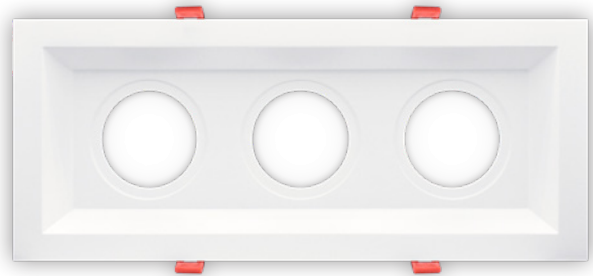


# 120V Selectable MiniTask

## 1" and 2" Round and Square Recessed LED Downlights



RMP-3-B (Shown with Fixed Lights installed)



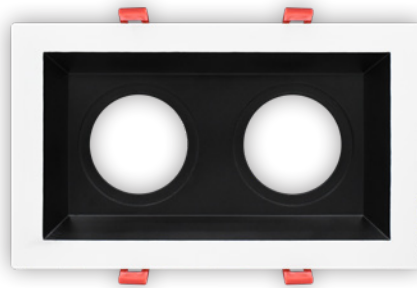
RMP-3-WH



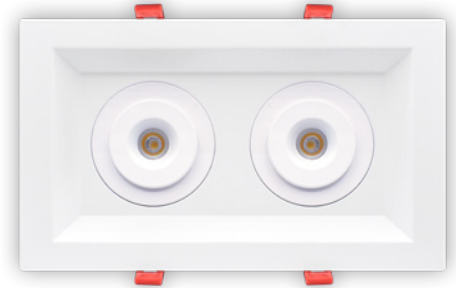
RMP-AD1-B  
RMP-AD1-WH



RMP-AD2-B  
RMP-AD2-WH



RMP-2-B



RMP-2-WH (Shown with Fixed Lights installed)

### MINITASK ACCESSORIES

Regressed multiple light ceiling plate option for low voltage MT series downlights. 2 and 3 light versions for clean looking groups where more light is needed. Use adjustable fixtures to highlight walls or spread out light over a larger area. All white or Black with white trim options to match most décor. Adapter rings allow simple use of different size units. Easy to install with spring clips.

### ACCESSORIES

| Catalog No. | Description                                      | Trim Size        | Cut-Out Size     |
|-------------|--|------------------|------------------|
| RMP-2-B     | Regressed Multi-Plate, 2 Light, Black/White Trim | 6-1/2" x 11"     | 5-1/2" x 9-5/8"  |
| RMP-2-WH    | Regressed Multi-Plate, 2 Light, White/White Trim | 6-1/2" x 11"     | 5-1/2" x 9-5/8"  |
| RMP-3-B     | Regressed Multi-Plate, 3 Light, Black/White Trim | 6-1/2" x 15-3/4" | 5-1/2" x 14-1/2" |
| RMP-3-WH    | Regressed Multi-Plate, 3 Light, White/White Trim | 6-1/2" x 15-3/4" | 5-1/2" x 14-1/2" |
| RMP-AD1-B   | Regressed Multi-Plate Adapter 1 Black            | N/A              | N/A              |
| RMP-AD1-WH  | Regressed Multi-Plate Adapter 1 White            | N/A              | N/A              |
| RMP-AD2-B   | Regressed Multi-Plate Adapter 2 Black            | N/A              | N/A              |
| RMP-AD2-W   | Regressed Multi-Plate Adapter 2 White            | N/A              | N/A              |

### COMPATIBILITY (Select Plate and down light, use parts listed to mount MT fixture in RMP plate)

| Model    | Luminaires | MTR1                             | MTR2                             |
|----------|------------|----------------------------------|----------------------------------|
| RMP-2-B  | 2          | (2) MTR1-5CCT-B + (2) RMP-AD1-B  | (2) MTR2-5CCT-B + (2) RMP-AD2-B  |
| RMP-2-WH | 2          | (2) MTR1-5CCT-W + (2) RMP-AD1-WH | (2) MTR2-5CCT-W + (2) RMP-AD2-WH |
| RMP-3-B  | 3          | (3) MTR1-5CCT-B + (3) RMP-AD1-B  | (3) MTR2-5CCT-B + (3) RMP-AD2-B  |
| RMP-3-WH | 3          | (3) MTR1-5CCT-W + (3) RMP-AD1-WH | (3) MTR2-5CCT-W + (3) RMP-AD2-WH |

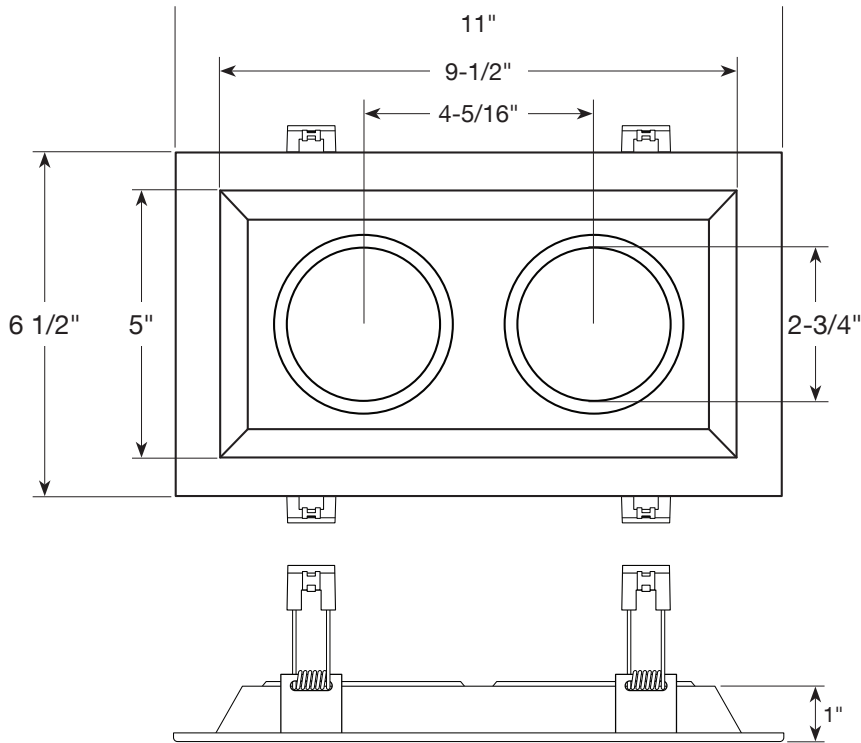
NOTE: Apply rings to RMP plates first before installing downlights.

# 120V Selectable MiniTask

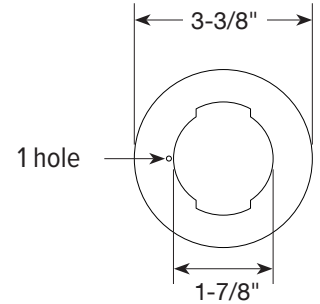


## 1" and 2" Round and Square Recessed LED Downlights

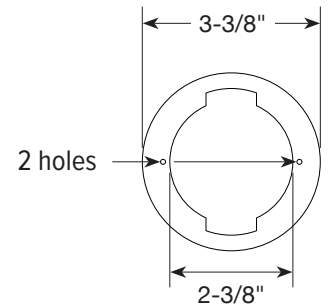
RMP-2-B  
RMP-2-WH



RMP-AD1-B  
RMP-AD1-WH



RMP-AD2-B  
RMP-AD2-WH



RMP-3-B  
RMP-3-WH

