

# NeoVision24 RGBW

## 24VDC 4.3W Side and TopFlex LED Tape Specification Sheet

Project Name	Type
--------------	------

Catalog #	Date
-----------	------

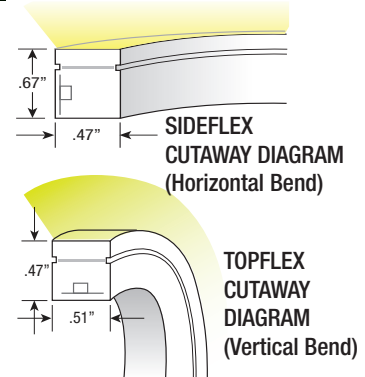
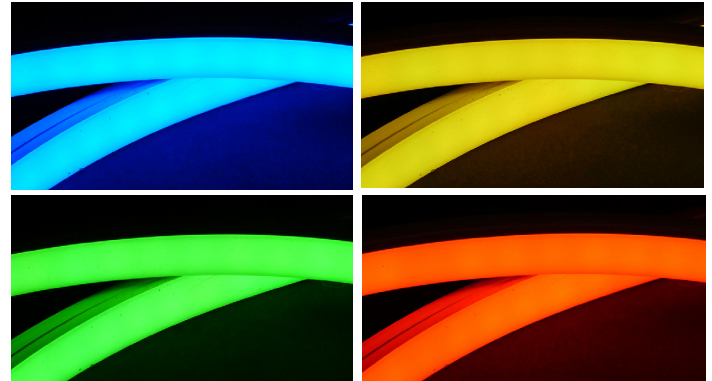
### PRODUCT OVERVIEW

A 24VDC RGBW, flexible linear 'neon' tape that is field cuttable. Designed for applications that requires a neon-like ultra-rich, saturated color with 3500K white. SideFlex enables horizontal bending and TopFlex enables vertical bending that conforms tape around curvilinear surfaces



### FEATURES

- 24VDC operation
- RGB with 3500K white
- Wet location - IP65
- Tape encased in UV stable silicone (UV protected)
- Wireless control with LUXcontrol App and controller
- Controllable with handheld remote
- Dimmable
- 120° viewing angle
- Maximum run: 16'-4"
- Cut and cap only in 2.5 inch increments while retaining IP65
- Mounting clips included (recommend use 1 per foot)
- Comes with power feed on each end (2 runs per reel, end cap included)



### SPECIFICATIONS

#### ELECTRICAL

- 24VDC
- 4.3 watts per foot

#### OPTICS

- 90+ CRI

#### WARRANTY

- 5-year warranty when paired with GM power supply

#### CERTIFICATION

- 24VDC UL compliant
- IP65

#### ACCESSORIES

- LineDRIVE 24V Non-Dimming Power Supplies
- Aluminum Channels (below)
- Tape Cutting Tool (below)

### ORDERING INFORMATION

Example: NV24S-4W-RGBW-16

	-		-		-	
--	---	--	---	--	---	--

Model	Watts / Foot	Color	Reel Length
NV24S	4W	RGBW	16 (16'-4")
NV24T			

Each reel includes 48" leads. 16' reel includes (16) NV24T-MC-A mounting clips and screws. Operating temp.: -4° - 130°F.

### CONTROLLERS

Model	Description
SHWC-RGBW	LUXcontrol Smart 2.4 GHz WiFi Controller, Standard 12V/24V Low Voltage, RGBW, 4-Channel / 5-Wire
SHWC-RGBW-RPT	LUXcontrol Universal Smart Power Repeater

### RGBW SIDEFLEX ACCESSORIES

Catalog No.	Description
NV24S-CHL-A4	Aluminum channel - 4 ft. length
NV24S-CHL-A8	Aluminum channel - 8 ft. length
NV24S-FLEX-CHL	Flexible mounting channel - 39.5"
NV24S-MC-A	Aluminum mounting clip (set of 20)
NV24-CT	Tape cutting tool (works for both TopFlex and SideFlex)
NV24S-EC	End cap

### RGBW TOPFLEX ACCESSORIES

Catalog No.	Description
NV24T-CHL-A4	Aluminum channel - 4 ft. length
NV24T-CHL-A8	Aluminum channel - 8 ft. length
NV24T-FLEX-CHL	Flexible mounting channel - 39.5"
NV24T-MC-A	Aluminum mounting clip (set of 20)
NV24-CT	Tape cutting tool (works for both TopFlex and SideFlex)
NV24T-EC	End cap

The above connectors, channels, mounting clips and caps are for the exclusive use of NeoVision24 SideFlex RGBW Neon Tape. See website for accessory images.

The above connectors, channels, mounting clips and caps are for the exclusive use of NeoVision24 RGBW TopFlex Neon Tape. See website for accessory images.

# NeoVision24 RGBW

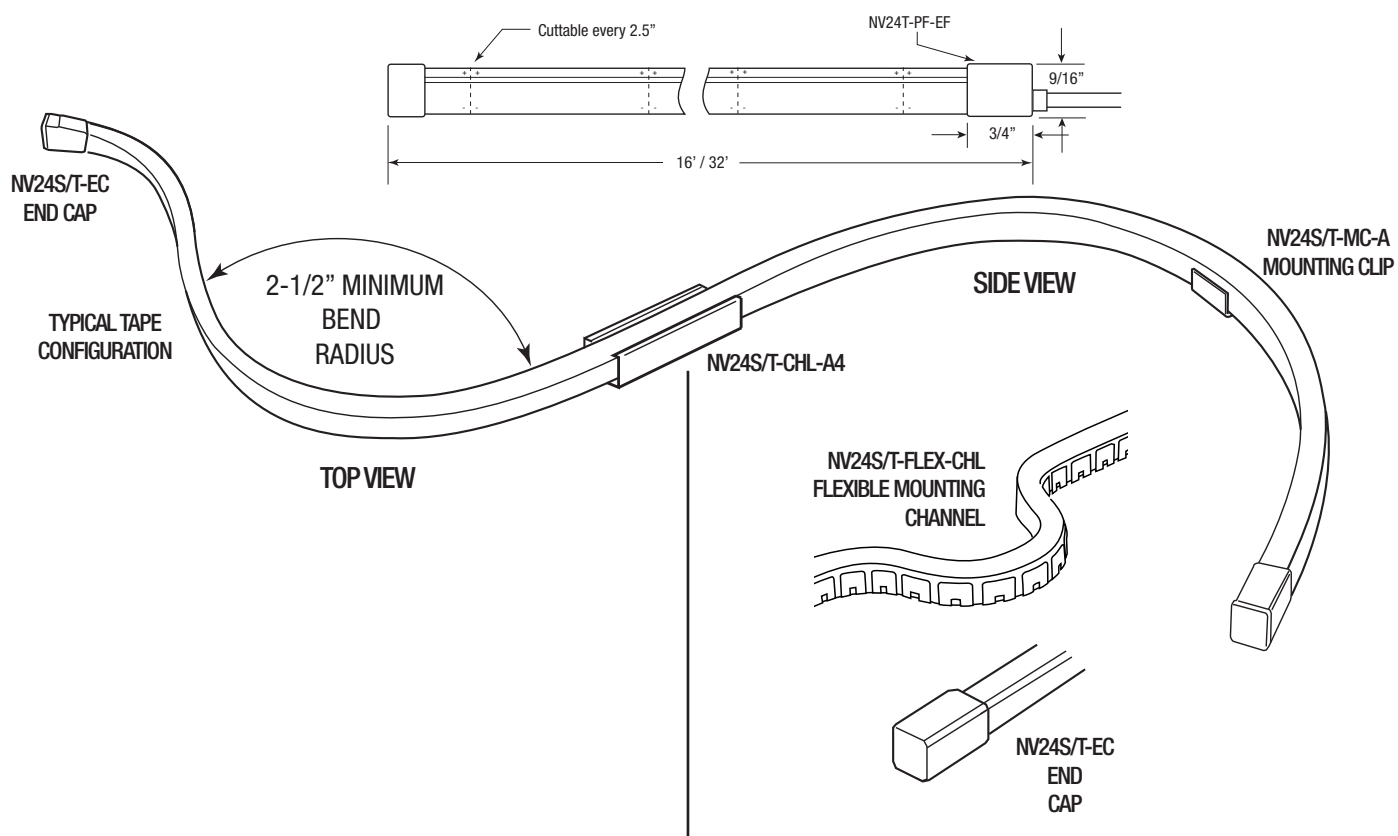
## 24VDC 4.3W Side and TopFlex LED Tape Specification Sheet

Catalog No.	Length	Wattage	CRI	White Color Temp.	Max. Run
NV24S-4W-RGBW-16	16'-4"	4.3W / FT.	90+	3500K	16'-4"
NV24T-4W-RGBW-16	16'-4"	4.3W / FT.	90+	3500K	16'-4"

Kelvin temperature (color) ±100K.

Every reel includes (1) NV24T-PF-EF (tape to power feed with 48" of lead. 16' reel includes (16) NV24T-MC-A mounting clips and screws. Operating temp.: -4° - 130°F.

### DIMENSIONS



# NeoVision24 RGBW

## 24VDC 4.3W Side and TopFlex LED Tape Specification Sheet



### RGBW-RWC HAND-HELD REMOTE CONTROLLER



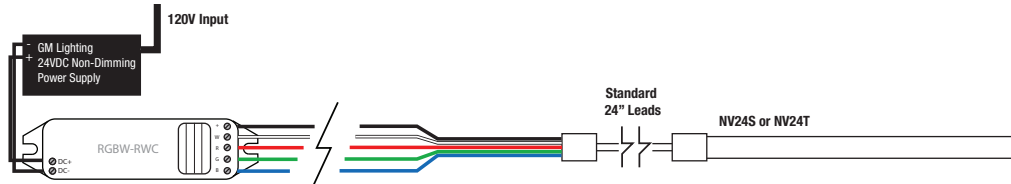
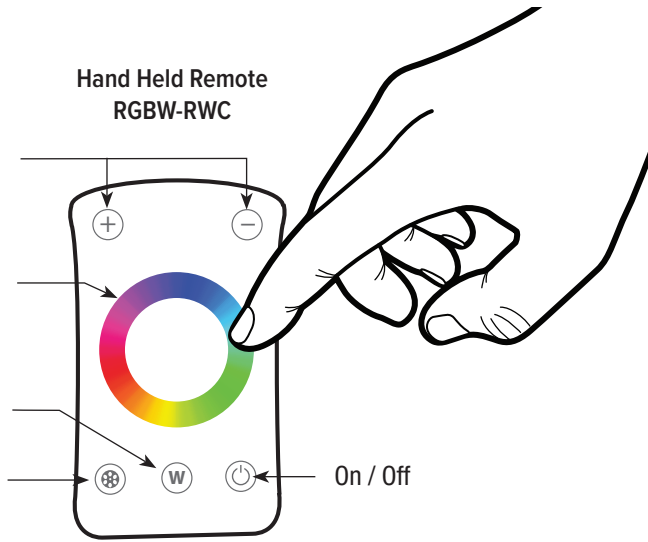
Speed / Brightness  
 + = Faster / Brighter  
 - = Slower / Dimmer

Touch Color Circle  
 (manipulate colors by touch)

White Light Switch / Dimming

Mode Key

Hand Held Remote RGBW-RWC

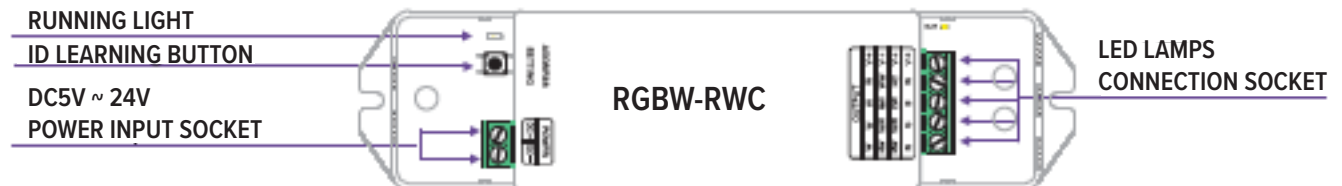


Model	Description
SHWC	Smart 2.4 GHz WiFi Controller, Standard 12V/24V Low Voltage, 1-Channel / 2-Wire
SHWC-RGBW-RPT	Universal Smart Power Repeater

Catalog No.	Description
RGBW-RWC	Controller and remote with battery
RGBW-RP	Repeater

No.	Mode	Instruction
1	Static Red	Brightness Adjustable
2	Static Green	Brightness Adjustable
3	Static Blue	Brightness Adjustable
4	Static Yellow	Brightness Adjustable
5	Static Purple	Brightness Adjustable
6	Static Cyan	Brightness Adjustable

No.	Mode	Instruction
7	Static White	Brightness Adjustable
8	RGB Skipping	Speed/ Brightness Adjustable
9	7 Color Skipping	Speed/ Brightness Adjustable
10	RGB Color Smooth	Speed/ Brightness Adjustable
11	Full Color Smooth	Speed/ Brightness Adjustable
12	Static Black	White light can be turn off and adjusted

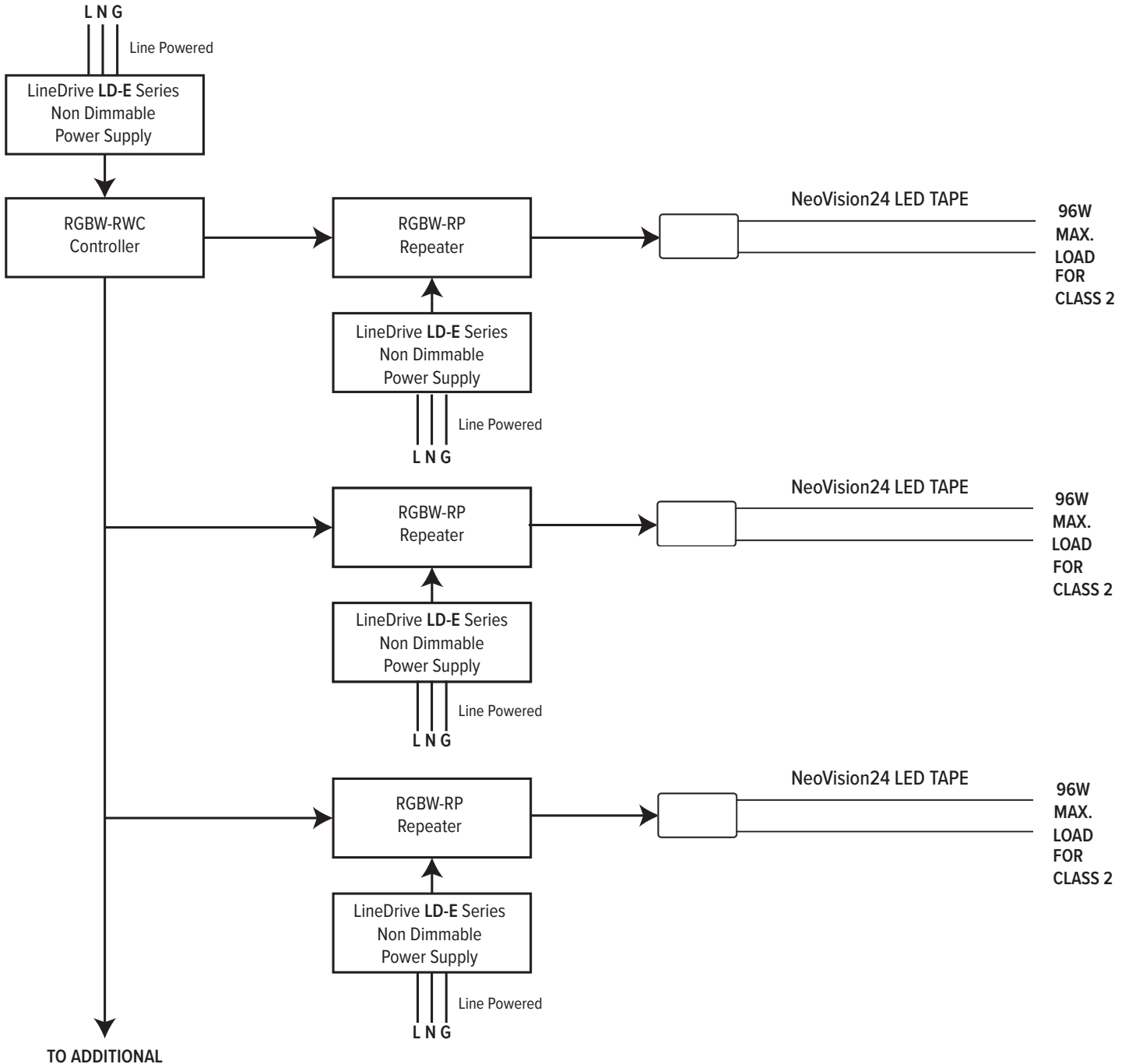


# NeoVision24 RGBW

## 24VDC 4.3W Side and TopFlex LED Tape Specification Sheet



### RGBW-RWC HAND-HELD REMOTE CONTROLLER WIRING DIAGRAM

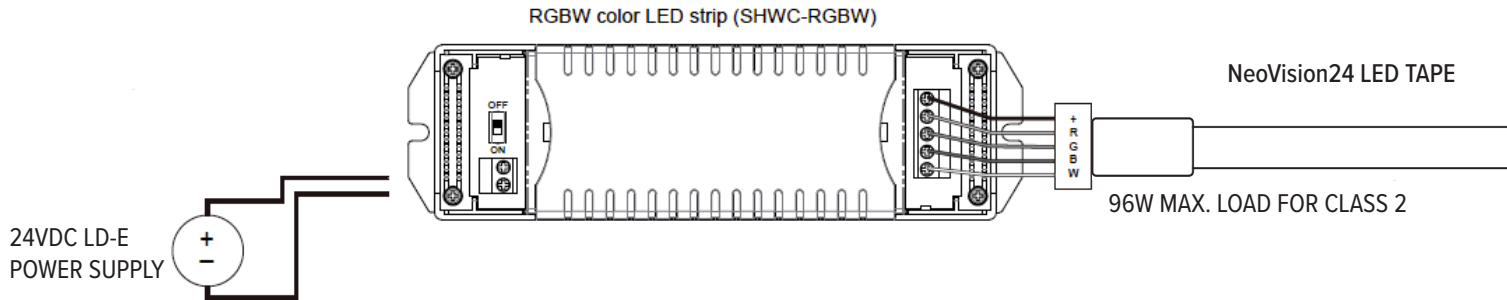


# NeoVision24 RGBW

## 24VDC 4.3W Side and TopFlex LED Tape Specification Sheet

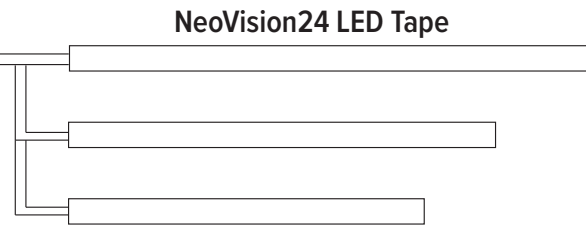
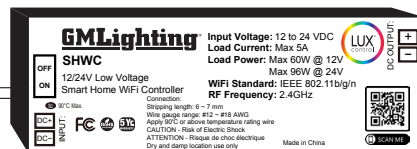
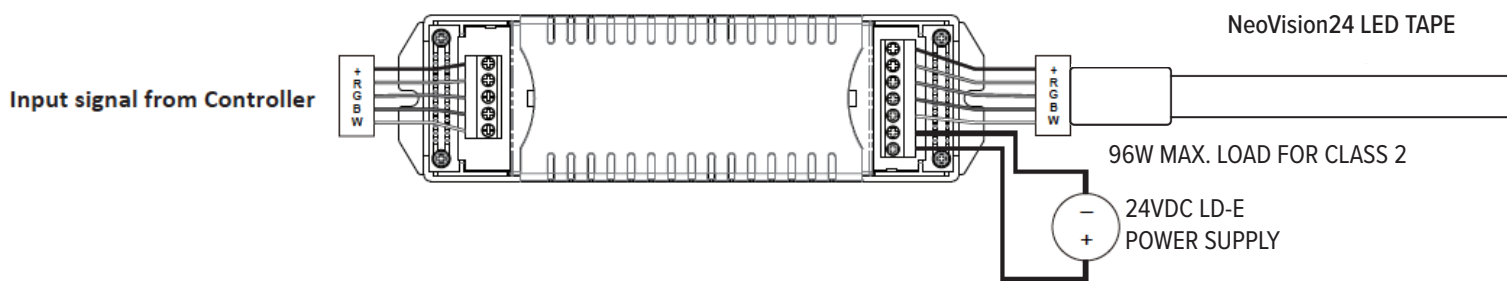


### SHWC-RGBW LUXCONTROL WIFI CONTROLLER



### SHWC-RGBW and Repeater Wiring

RGBW connection (4 channels)



Expandable with universal power repeater (SHWC-RGBW-RPT) for larger projects



Remote WiFi Control

LUXcontrol™ App



Router Signal

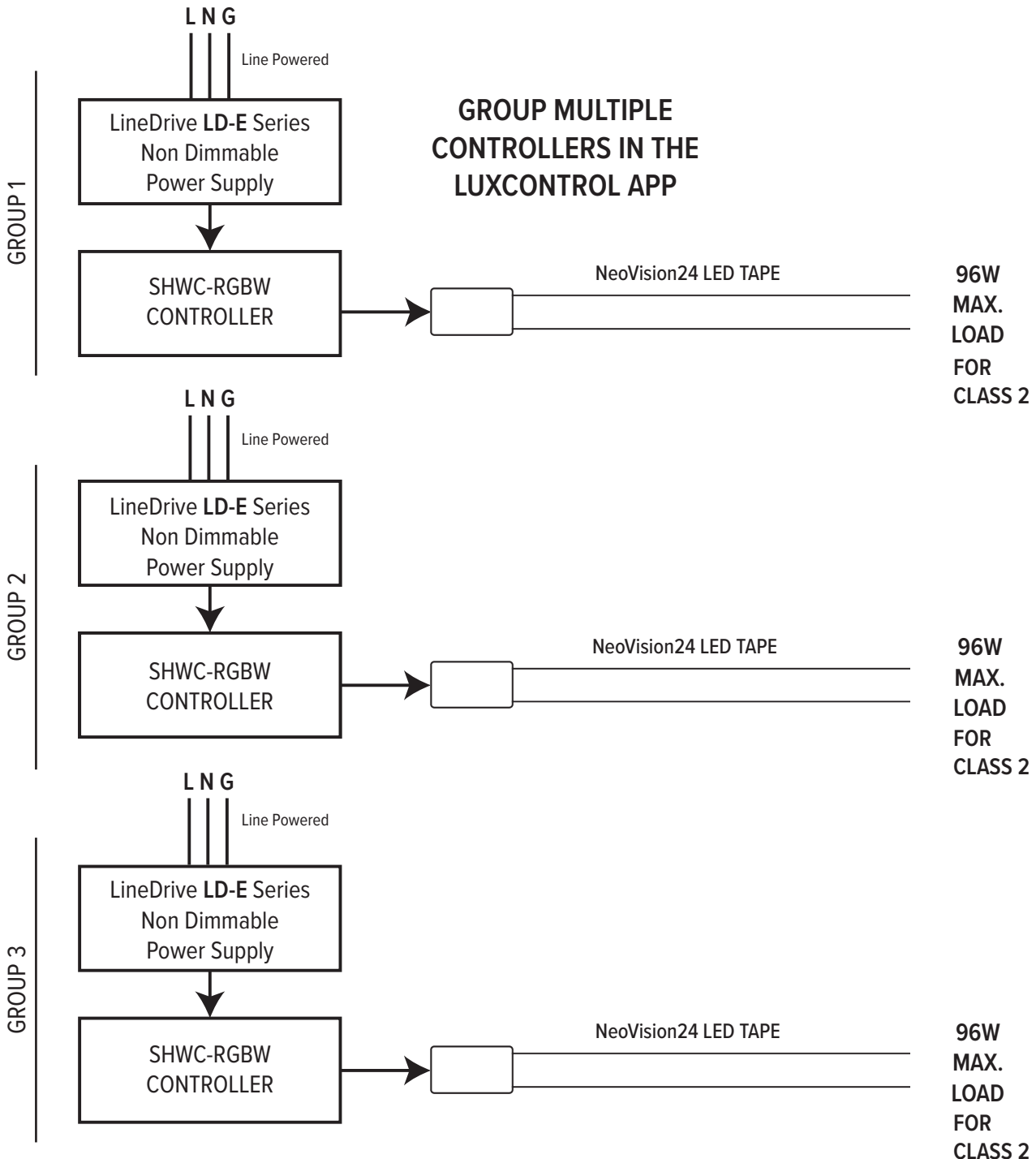
Note: For use with LD-E (non-dimmable) or LD-ED (dimmable) power supply only. Not compatible with LD-MD (magnetic) power supply.

# NeoVision24 RGBW

## 24VDC 4.3W Side and TopFlex LED Tape Specification Sheet



### SHWC-RGBW LUXCONTROL WIFI CONTROLLER WIRING DIAGRAM

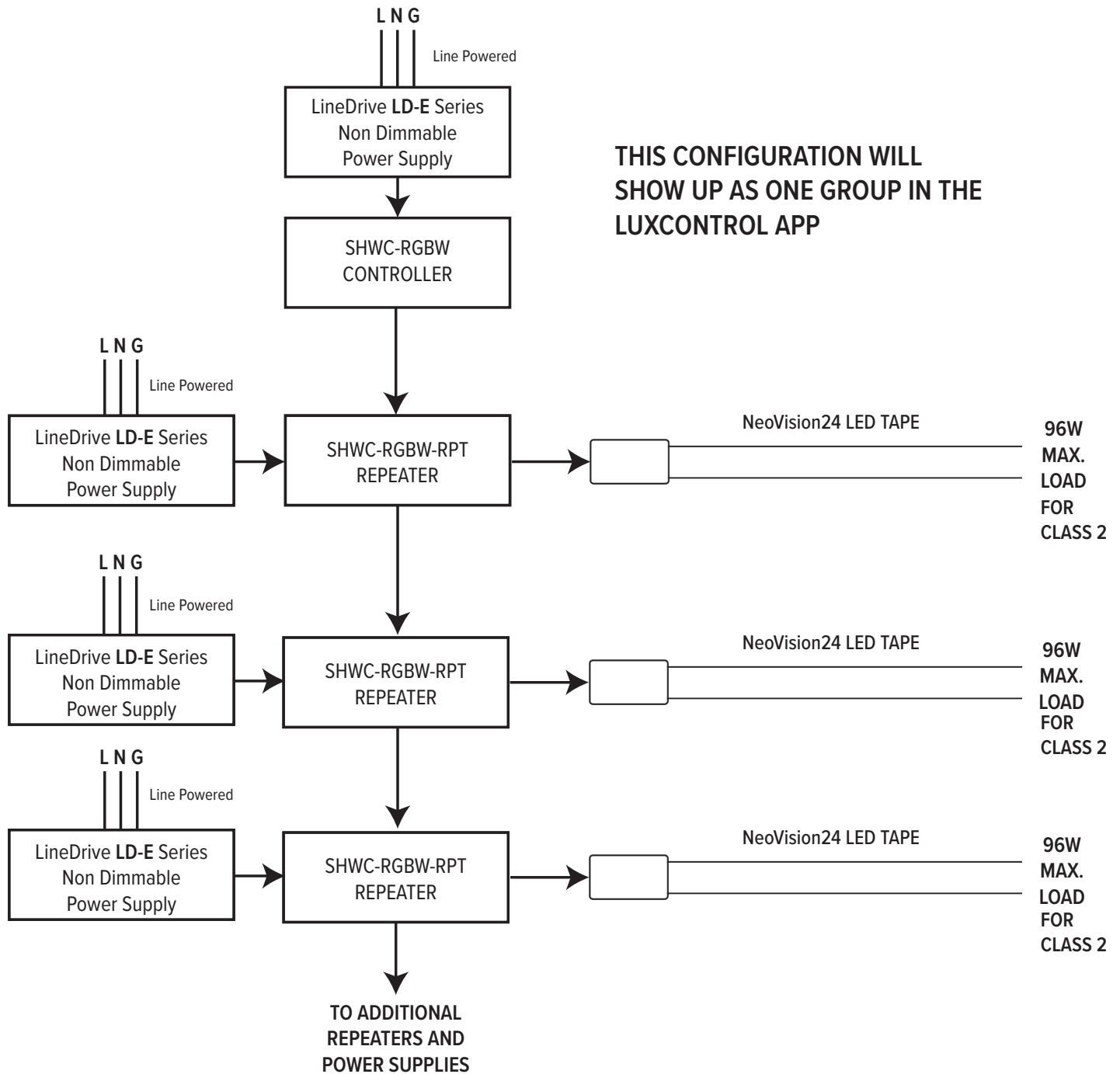


# NeoVision24 RGBW

## 24VDC 4.3W Side and TopFlex LED Tape Specification Sheet



### SHWC-RGBW LUXCONTROL WIFI CONTROLLER WITH POWER REPEATER WIRING DIAGRAM



# NeoVision24 RGBW

## 24VDC 4.3W Side and TopFlex LED Tape Specification Sheet



### RGBW-DMX-WC DMX WALL CONTROLLER WIRING DIAGRAM

