

⚠ WARNING!

BEFORE YOU START:

- Please check local electrical codes before beginning
- Turn power off before installing
- Make sure to use properly rated wire

TOOLS NEEDED:

- Cut-out hole saw or multi-tool

PARTS INCLUDED:

- MiniTask RMP Regressed Mounting Plate (2-light or 3-light)
- MiniTask power supply box
- Wire connectors
- RMP-AD1, RMP-AD2 Adaptor Rings (optional)

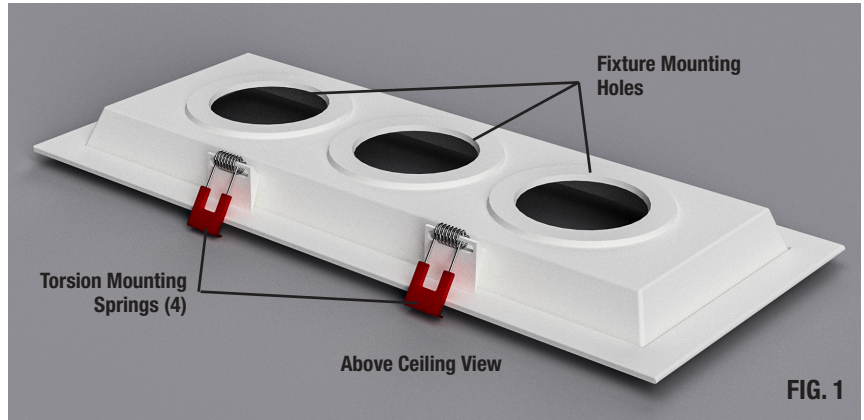


FIG. 1

NOTE: WE RECOMMEND THAT YOU ENGAGE A QUALIFIED AND LICENSED ELECTRICIAN. ALL SYSTEM PARTS ARE COMPATIBLE WITH AND ONLY WORK TOGETHER. DO NOT ATTEMPT TO SWAP OUT OTHER MANUFACTURERS PRODUCTS. INSURE THAT BOTH WALL SWITCH AND LED DRIVER IS GROUNDED IN ACCORDANCE WITH NEC OR LOCAL ELECTRICAL CODES. DO NOT INSTALL IN AN APPLICATION THAT IS OUTSIDE OF THE PRODUCTS LISTED AMBIENT TEMPERATURE AND IN AN AREA THAT IS NOT EASILY ACCESSED FOR SERVICE REQUIREMENTS. DOWN LIGHT IS IC RATED.

CONSULT MINI-TASK INSTRUCTION SHEET FOR DIRECTIONS ON HOOKING UP MINI-TASK FIXTURES. USE QR CODE IN FIG. 1 TO ACCESS.

1. Familiarize yourself with the RMP Regressed Mounting Plate (Fig. 1). Installation is simple and straight forward. Make sure you are able to depress side springs. If you are not able, employ the assistance of another person who can depress springs while you steady the RMP Regressed Mounting Plate. NOTE: RMP PLATES REQUIRE A DRYWALL OR PANEL THICKNESS OF 1/2" - 3/4" (Fig. 3). DO NOT MOUNT RMP PLATE ON SLOPED CEILINGS.

2. Refer to Table (Fig. 2) for cutout hole size. Using cut-out hole saw or multi-tool, cut-out rectangular hole along the dimensions shown in table (Fig. 3). Dimensions for a 2-light RMP-2 are different than dimensions for a 3-light RMP-3. CAUTION: Space above location of RMP Regressed Mounting Plate must be clear of building materials, plumbing, HVAC and electrical components.

FIG. 2 - Key to Ceiling Cut-Out Size

CAT. NO.	WIDTH SIZE	LENGTH SIZE
RMP-2-FINISH (WH / B)	5-1/2"	9-5/8"
RMP-3-FINISH (WH / B)	5-1/2"	14-1/2"

Mini-Task Fixture Instructions



SCAN ME

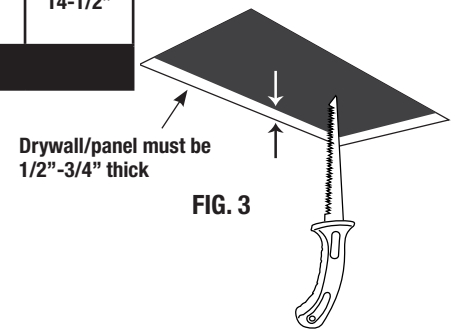


FIG. 4

RMP Plate	# of Fixtures	MTR1	MTRA1	MTR2	MTRA2
RMP-2-WH	2	(2) MTR1-5CCT-W + (2) RMP-AD1-WH	(2) MTRA1-5CCT-W + (2) RMP-AD1-WH	(2) MTR2-5CCT-W + (2) RMP-AD2-WH	(2) MTRA2-5CCT-W
RMP-2-B	2	(2) MTR1-5CCT-B + (2) RMP-AD1-B	(2) MTRA1-5CCT-B + (2) RMP-AD1-B	(2) MTR2-5CCT-B + (2) RMP-AD2-B	(2) MTRA2-5CCT-B
RMP-3-WH	3	(3) MTR1-5CCT-W + (3) RMP-AD1-WH	(3) MTRA1-5CCT-W + (3) RMP-AD1-WH	(3) MTR2-5CCT-W + (3) RMP-AD1-WH	(3) MTRA2-5CCT-W
RMP-3-B	3	(3) MTR1-5CCT-B + (3) RMP-AD1-B	(3) MTRA1-5CCT-B + (3) RMP-AD1-B	(3) MTR2-5CCT-B + (3) RMP-AD2-B	(3) MTRA2-5CCT-B

3. INSTALL ADAPTER RINGS

Refer to table in (Fig. 4) Find the downlight (column) and RMP plate (row) to be used. Then verify the Adapter Ring to install if required. Identify the adapter ring required (Fig 5.) Remove packaging from RMP plate and rings. Plate and rings should be clean and free of dust and oils. To install the Adapter Ring, first remove the adhesive tape liner on the back of the ring. Center the ring in the front recess of the RMP plate. (Fig. 6) Then press and hold in place for 20 seconds. Do this for each ring required.

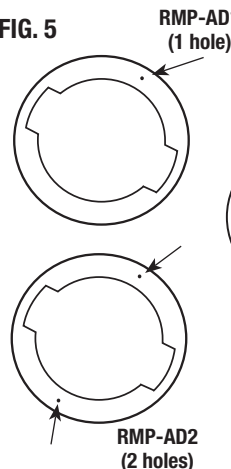
4. INSTALL FIXTURES IN RMP PLATE

Unpack MT fixture and assemble the trim and light engine if needed. Install downlight by folding back springs (Fig. 7 - next pg.) Insert springs into opening of RMP plate. Slowly, allow the trim to move into the RMP opening and center in place. (Fig. 8 - next pg.) Install all downlights. Then turn the springs so they sit at an angle in the RMP plate (Fig. 9 - next pg.)

5. SELECT COLOR TEMP.

Select color temperature of light source. You'll find the color temp. selector switch on the side of the junction box. You must choose one of five color temperatures before mounting the Power Supply Box (Fig. 10 - next pg.).

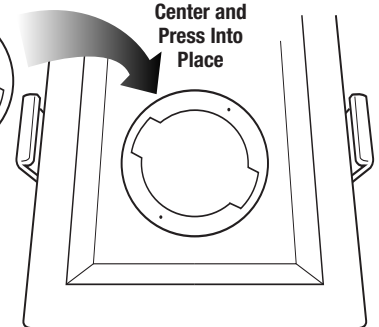
FIG. 5



Remove Adhesive Liner

Center and Press Into Place

FIG. 6



6. CONNECT INCOMING POWER: Open Power Supply box cover and remove appropriate knock-outs to install fittings (1/2" trade size) with power leads. Connect Power Supply Box to 120V power source using flexible conduit or Romex (by others) through the mounting hole. Using wire connectors, connect incoming leads to power supply input leads. Ground to Green wire, Neutral to White wire, Hot Line to Black wire of box (Fig. 11).

7. MOUNT JUNCTION BOX AND CONNECT DOWNLIGHTS: Proceed to feed junction box up into hole. Locate boxes in a place leaving the quick connect cord hanging near the trim hole for easy access. (Fig. 12). Connect each downlight cable to it proper junction box with mating twist connector.

8. INSTALL PLATE
 Starting at one end, depress torsion mounting springs so that plate can be pressed up against ceiling (Fig. 13). Spring will recoil back into position when released, holding frame tight against ceiling. Do this for all springs along side of RMP Regressed Mounting Plate. Assure that RMP Regressed Mounting Plate is held firmly.

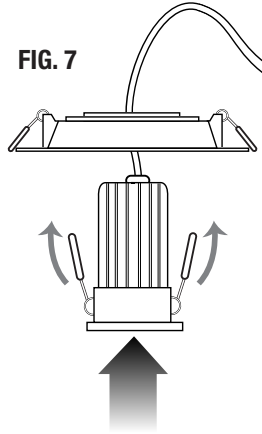


FIG. 7

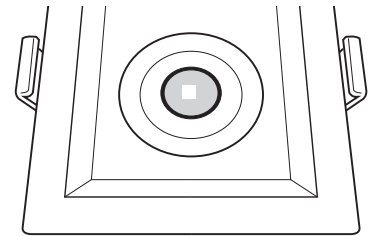


FIG. 8

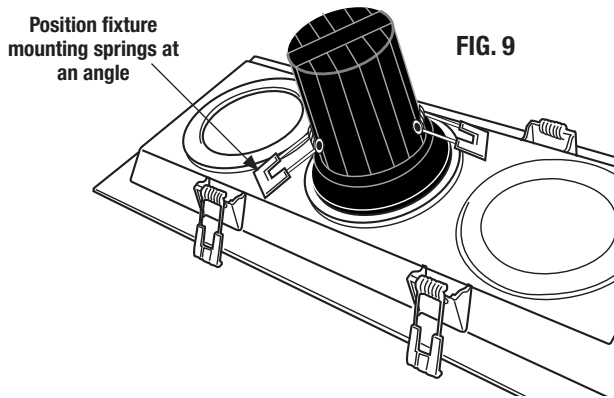


FIG. 9

Color Temperature Switch

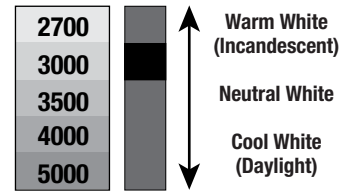


FIG. 10

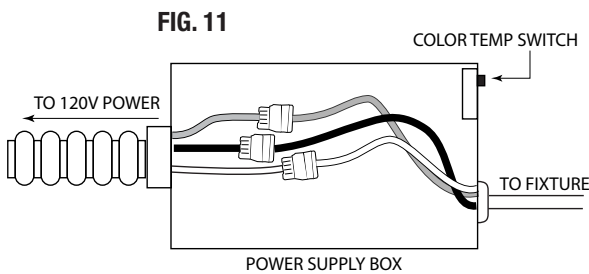


FIG. 11

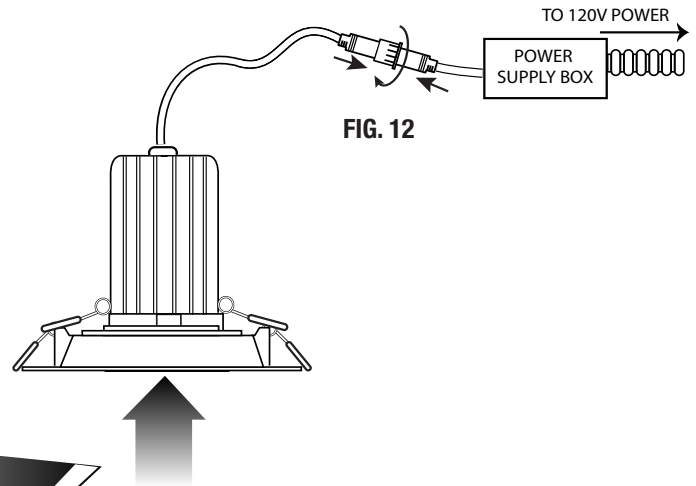


FIG. 12

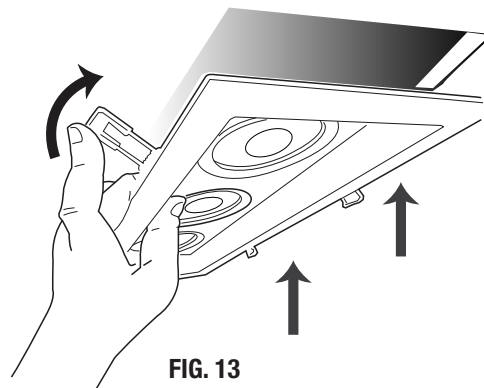


FIG. 13