

# NeoVision120 TopFlex

## 120VAC Neon LED Tape Specification Sheet

# GM Lighting®

Project Name	Type
Catalog #	Date

### PRODUCT OVERVIEW

120VAC operation for higher power and brightness. Flexible linear “neon” tape is designed for applications that require ultra-rich light and color saturation that is characteristic of neon. TopFlex enables lighting along straight or inward/outward curved surfaces. NeoVision120 tapes provide long, continuous runs up to 163 feet.

### FEATURES

- 120VAC operation (no driver required)
- Wet location - IP65
- Multiple power feed options:
  - End Feed
  - Bottom Feed
- Tape encased in UV resistant silicone
- Triac/ELV dimmable
- White and color LED options
- 120° viewing angle
- Maximum run: 163' - made to order in 12" increments

### SPECIFICATIONS

#### ELECTRICAL

- Input: 120VAC 60Hz
- 3.4W per foot (colors)
- 4.3W per foot (white)
- PF>0.9

#### ENVIRONMENTAL

- Outdoor & wet location rated
- UV resistant
- Ambient operating temp:  
-4°F to +113°F (-20°C to +45°C)

#### PHOTOMETRIC

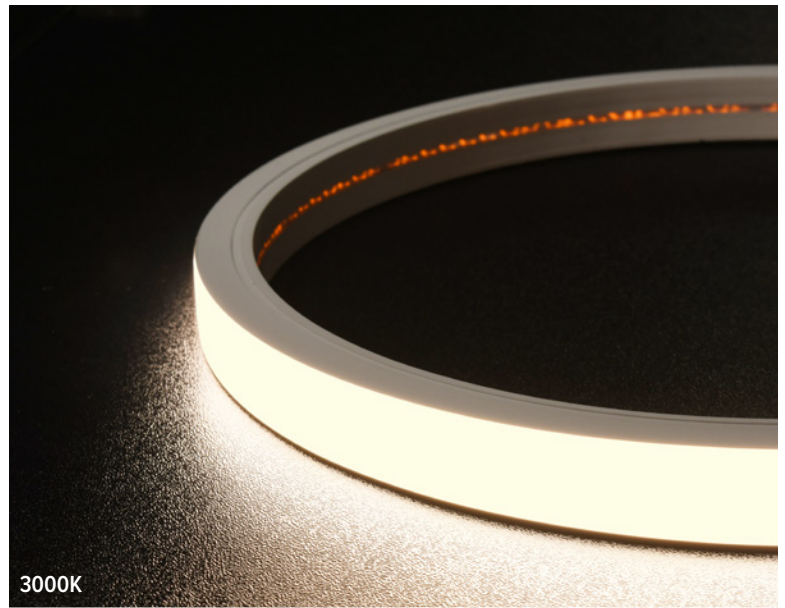
- White: 2700K, 3000K or 4000K at 90+ CRI

#### WARRANTY

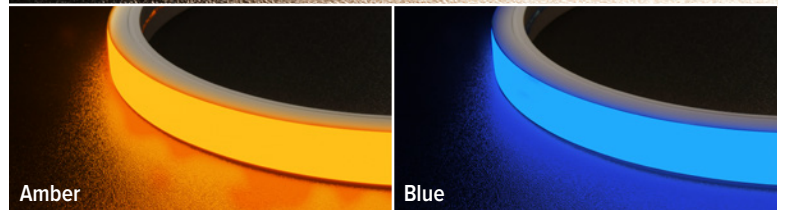
- 3 years

#### CERTIFICATION

- ETLus  
UL1598 (Hardwire)  
UL2388 (Plug-in)
- IP65

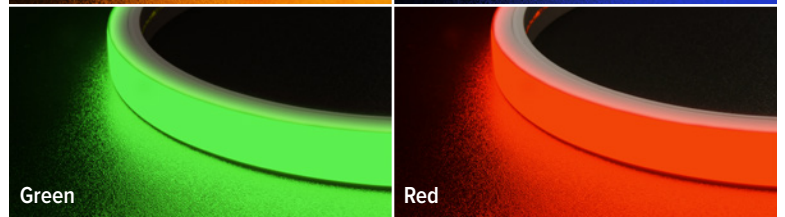


3000K



Amber

Blue



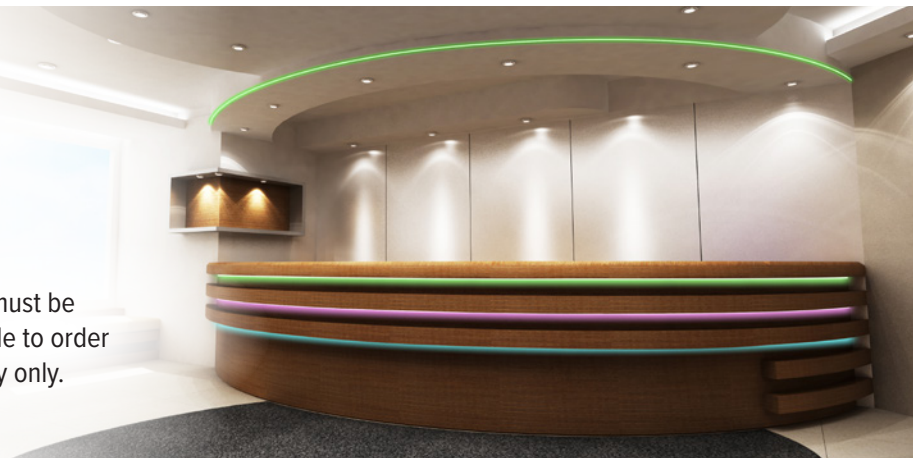
Green

Red

### ORDERING INFORMATION

1. Select Tape
2. Pick Feed
3. Pick Mounting Options
4. Pick Control Options

All **NeoVision120** tape configurations must be specified at time of order. Parts are made to order and sealed by GM Lighting at the factory only.



# NeoVision120 TopFlex

## 120VAC Neon LED Tape Specification Sheet



All NeoVision 120 tape configurations will be cut and sealed by GM Lighting to your specifications. No field modifications allowed.

### ORDERING INFORMATION

#### 1. Select Tape

Example: NV120T-3W-30K-024 (24 ft)

XXX Length = 001 to 163 in 1 ft increments

Model	Watts/Ft	Color Temp	Length(ft)
NV120T	4W	27K (2700K)	XXX
		30K (3000K)	
		40K (4000K)	
NV120T	3W	AM (Amber)	XXX
		BL (Blue)	
		GR (Green)	
		RD (Red)	

Catalog No.	Watts/Ft Max.	Color Temp	Lumens/Ft	Max. Run
NV120T-4W-27K	4.3W	2700K	232 Lm	163 ft
NV120T-4W-30K	4.3W	3000K	255 Lm	163 ft
NV120T-4W-40K	4.3W	4000K	257 Lm	163 ft
NV120T-3W-AM	3.4W	Amber (593nm pk)	59 Lm	163 ft
NV120T-3W-BL	3.4W	Blue (465nm pk)	34 Lm	163 ft
NV120T-3W-GR	3.4W	Green (519nm pk)	194 Lm	163 ft
NV120T-3W-RD	3.4W	Red (633nm pk)	94 Lm	163 ft

### ACCESSORIES

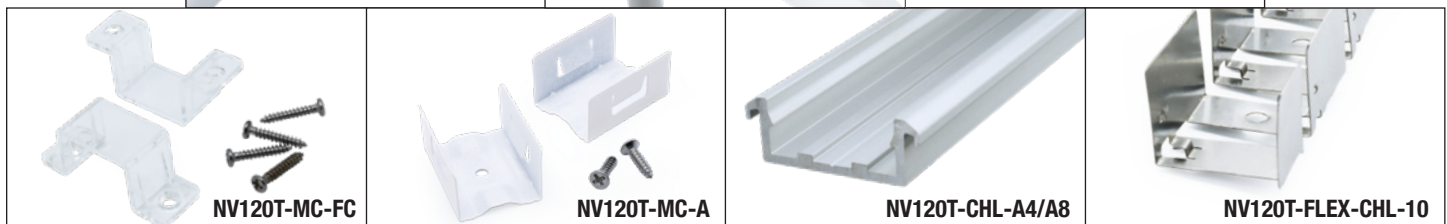
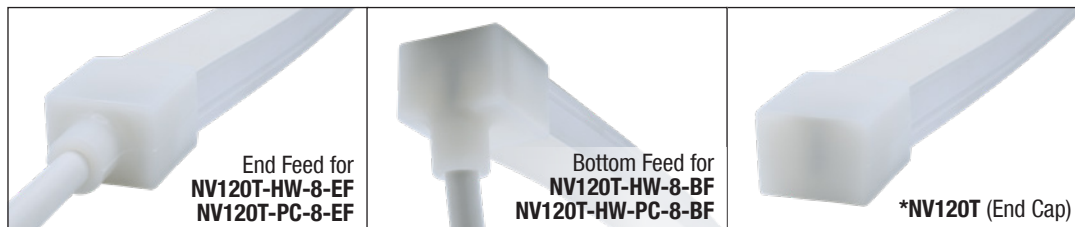
#### 2. Pick Feed

Catalog No.	Description
NV120T-HW-8-EF	Hardwire End Feed w/Filter & 8A Fuse
NV120T-HW-8-BF	Hardwire Bottom Feed w/Filter & 8A Fuse
NV120T-PC-8-EF	Plug-in End Feed w/Filter & 8A Fuse
NV120T-PC-8-BF	Plug-in Bottom Feed w/Filter & 8A Fuse

#### 3. Pick Mounting Options

Model	Description
NV120T-MC-FC	Front Clip, 20 Clips/40 Screws
NV120T-MC-A	Back Mounting Clip, 20 Clips/20 Screws
NV120T-CHL-A4	4 ft Channel with 4 Screws
NV120T-CHL-A8	8 ft Channel with 8 Screws
NV120T-FLEX-CHL-10	SideFlex 10 ft Channel with 22 Screws

All cords are 8ft long



\* Included with every tape section

# NeoVision120 TopFlex

## 120VAC Neon LED Tape Specification Sheet



### 4. Pick Control Options

Lutron Dimmers	Family	Phase Dimming Operation	Trim Adjustments*	Smart Switch
Lutron PD-SNE	Casetta	Reverse Phase (ELV, use this setting only)	High & Low End Trim	Yes
Lutron DVELV	Diva	Reverse Phase (ELV)	-	-
Lutron DVRP	Diva	Reverse Phase (ELV)	-	-
Lutron MA-PRO	Maestro	Reverse Phase (ELV, recommended setting)	High & Low End Trim	-
Lutron RRD-PRO RadioRA2	Radio RA	Auto (recommended setting)	Low End Trim	Yes

Leviton Dimmers	Family	Phase Dimming Operation	Trim Adjustments*	Smart Switch
Leviton DSE06-10Z	Decora	Reverse Phase (ELV)	-	-
Leviton DDL06-1LZ	Decora	Forward Phase (TRIAC)	-	-

Legrand Dimmers	Family	Phase Dimming Operation	Trim Adjustments*	Smart Switch
Legrand RH703PTU	Radiant Harmony	Forward Phase (TRIAC, use this setting only)	High & Low End Trim	-

Notes: All dimmers operate at 120VAC, 60Hz  
All dimmers will operate NV120 to below 20% dimming level.  
Adjust trim levels for best performance.  
**See local electrical distributor for dimmers.**

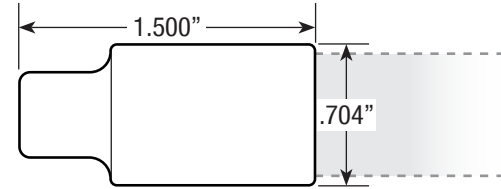
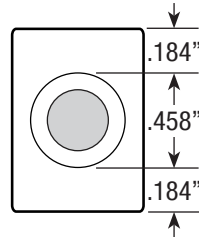
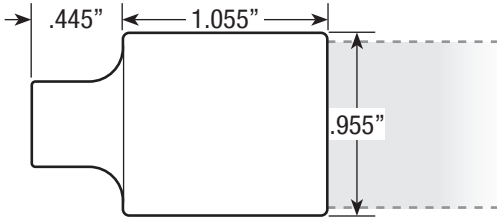


# NeoVision120 TopFlex

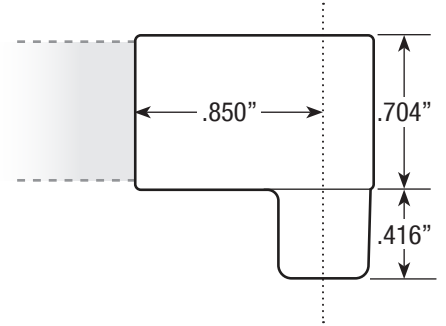
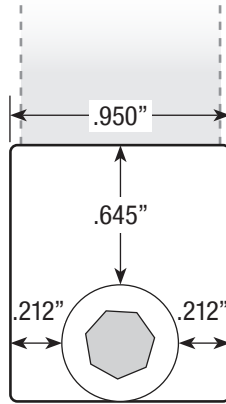
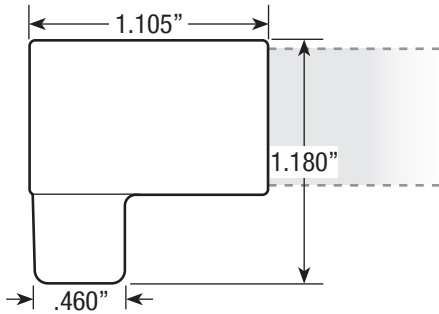
## 120VAC Neon LED Tape Specification Sheet



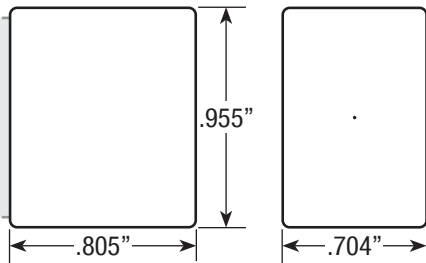
End Feed for  
NV120T-HW-8-EF  
NV120T-PC-8-EF



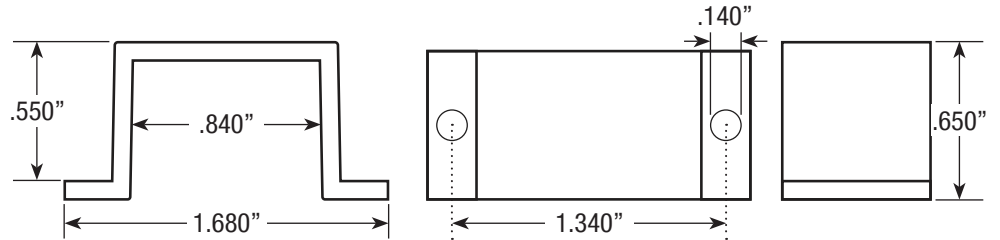
Bottom Feed for  
NV120T-HW-8-BF  
NV120T-PC-8-BF



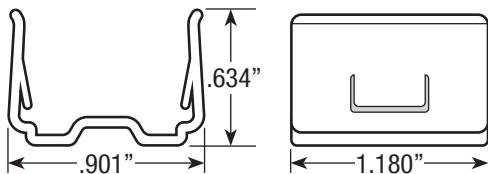
NV120T (End Cap)



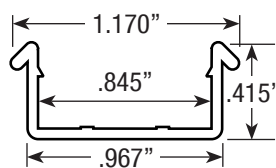
NV120T-MC-FC



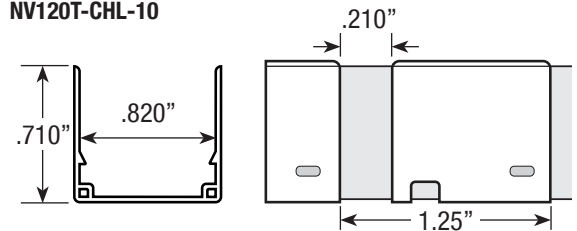
NV120T-MC-A



Rigid Channel  
NV120T-CHL-A4/A8



Flexible Channel  
NV120T-CHL-10

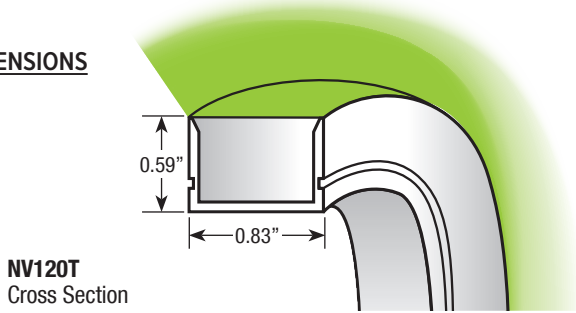


# NeoVision120 TopFlex

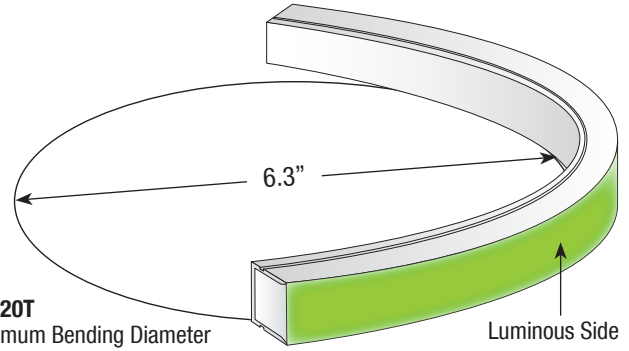
## 120VAC Neon LED Tape Specification Sheet



### DIMENSIONS

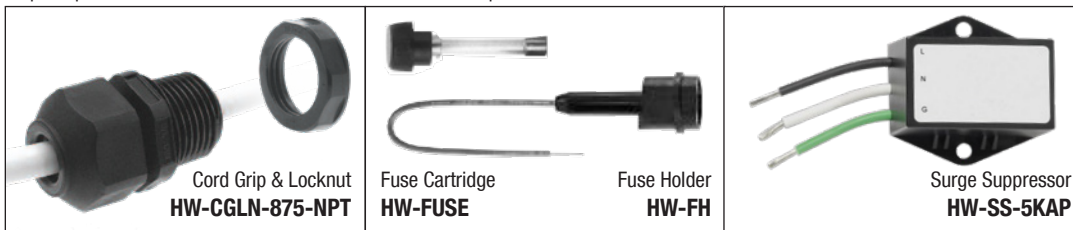


**NV120T**  
Cross Section

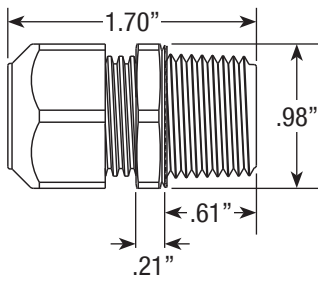


**NV120T**  
Minimum Bending Diameter

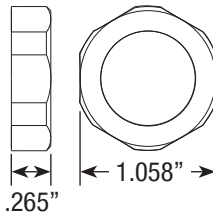
All parts pictured below are included with each hard wired option.



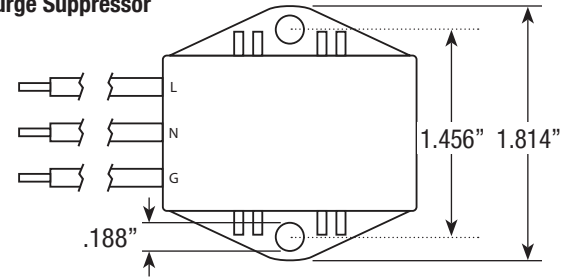
### Cord Grip



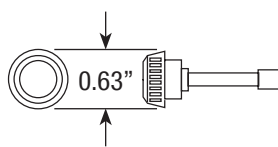
### Locknut



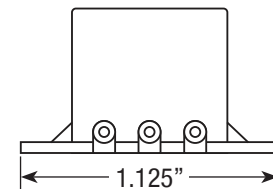
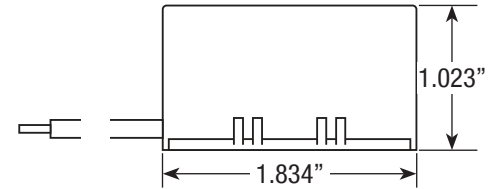
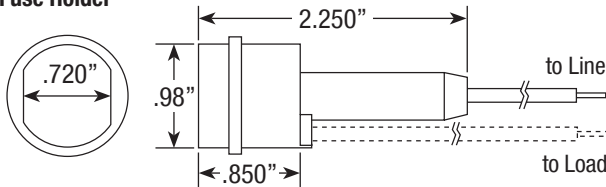
### Surge Suppressor



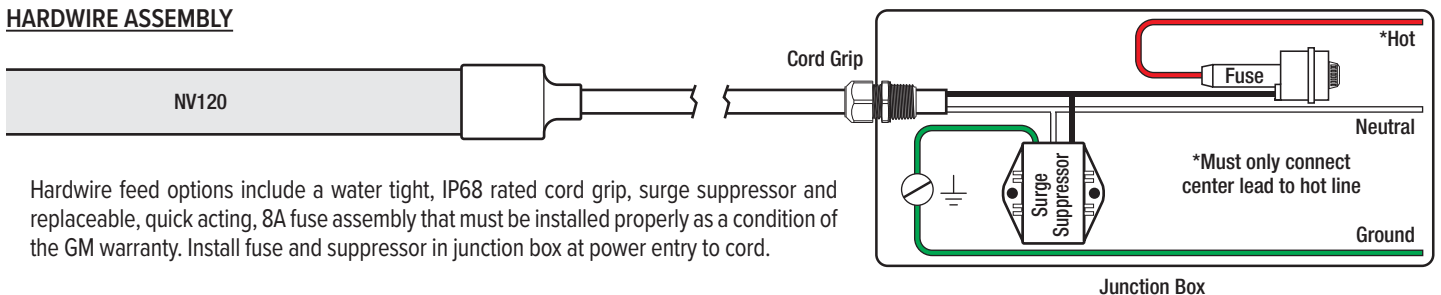
### Fuse Cartridge



### Fuse Holder



### HARDWIRE ASSEMBLY



Hardwire feed options include a water tight, IP68 rated cord grip, surge suppressor and replaceable, quick acting, 8A fuse assembly that must be installed properly as a condition of the GM warranty. Install fuse and suppressor in junction box at power entry to cord.

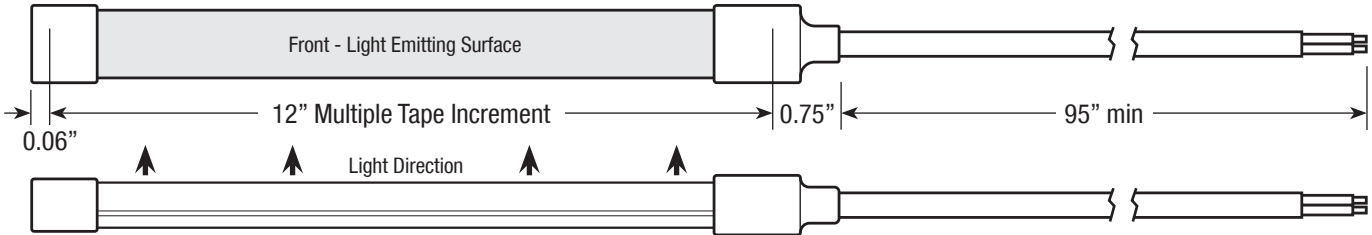
# NeoVision120 TopFlex



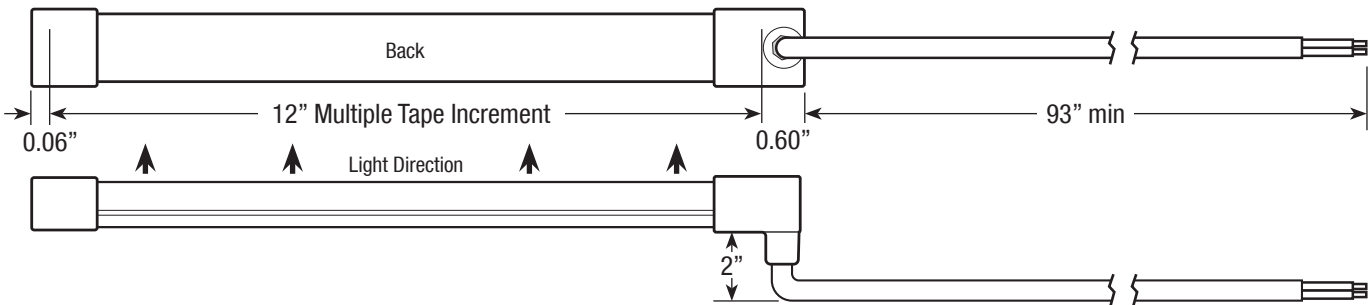
## 120VAC Neon LED Tape Specification Sheet

### HARDWIRE FEEDS

#### NV120T-HW-8-EF (End Feed)



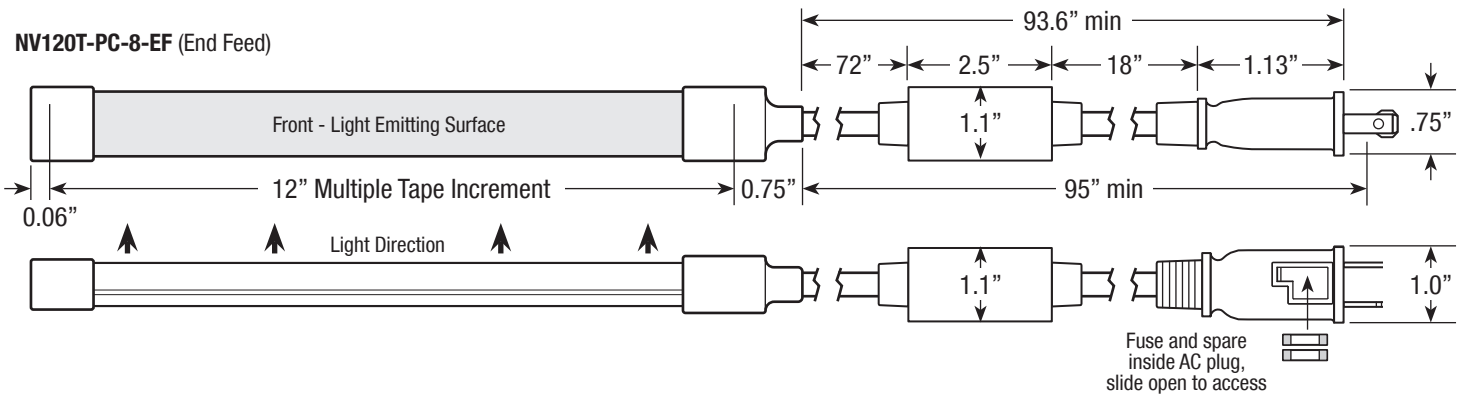
#### NV120T-HW-8-BF (Bottom Feed)



### CORD AND PLUG FEEDS

Each cord and plug assembly comes with a replaceable, quick acting, 8A fuse and built-in surge suppressor. When routing cord, 1.5" dia. minimum clearance required for surge suppressor and plug.

#### NV120T-PC-8-EF (End Feed)



#### NV120T-PC-8-BF (Bottom Feed)

